

## wall mounting socket outlet, switched - housing dimensions 460x276, with electrical interlocking PSK



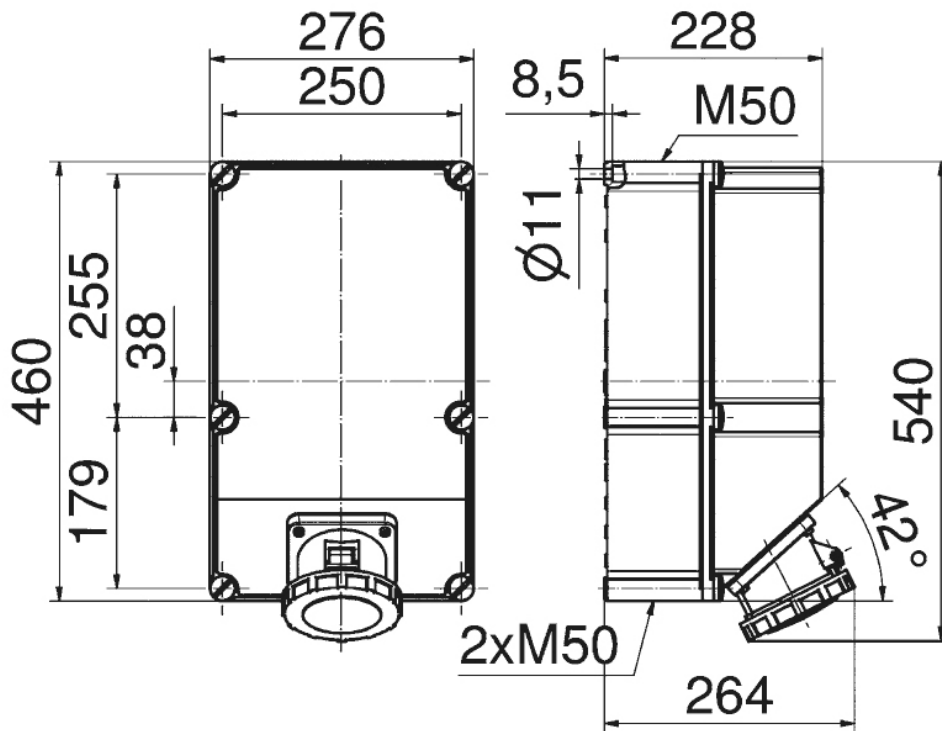
Product description	
BALS-Prd.-Nr	1676
EAN	4024941016766
Product category	TE wall mounting socket outlet, switched, interlocked
Current	125A
Number of poles	5p
Arrangement of phases	3p+N+PE
Position of earth contact	6 h
Voltage	200/346 - 240/415V~

Product description	
Frequency	50/60Hz
Protection degree	IP67
Colour code	red RAL 3000
Colour of appliance	Hinged lid red RAL 3000, Housing bottom grey RAL 7035, Bayonet ring grey RAL 7035, Housing screws grey RAL 7035, Housing top grey RAL 7035
Connection design	screw terminal as box terminal with Kontex-contact
Maximum conductor size	70 mm <sup>2</sup> (possible limitation by the used cable entry)
Cable entry	top entry M50 bottom entry M50
Height	502mm
Width	276mm
Depth	460mm
Dimension of enclosure	460x276 mm (HxW)
Material of enclosure	Polyester RAL 7035
Contacts	The contact carrier is made of high temperature resistant material, the contacts are brass nickel plated

Additional technical properties	
	cable entry two at top and two at bottom (open), Electrically interlocked with pilot contact, With DIL contactor

Logistics data	
Weight/pcs	10.172 kg / Piece
Packaging	Carton

Logistics data	
Content amount	1 ST
EAN	4024941016766
Length	610 mm
Width	410 mm
Height	430 mm
Weight	11.278 kg
Volume	98,400 ccm



## 30 MB 104