

wall mounting socket outlet, switched, interlocked, chemically resistant - housing dimensions 260x160



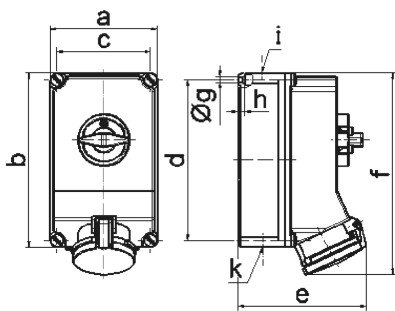
Product description	
BALS-Prd.-Nr	16901
EAN	4024941169011
Product category	TE wall mounting socket outlet, switched, interlocked
Current	63A
Number of poles	5p
Arrangement of phases	3p+N+PE
Position of earth contact	6 h
Voltage	200/346 - 240/415V~

Product description	
Frequency	50/60Hz
Protection degree	IP44
Colour code	red RAL 3000
Colour of appliance	Hinged lid red RAL 3000, Housing bottom lightbeige, Housing top lightbeige, Housing screws lightbeige, Control knob lightbeige
Connection design	screw terminal as box terminal with Kontex-contact
Maximum conductor size	25.0 qmm
Cable entry	top entry M40 bottom entry M40/M32
Height	303mm
Width	160mm
Depth	185mm
Dimension of enclosure	260x160 mm (HxW)
Material of enclosure	Polycarbonate+Polyester light - beige
Contacts	The contact carrier is made of high temperature resistant material, the contacts are brass nickel plated

Additional technical properties	
	The cable entry is one at top and two at bottom open
	In 0-position lockable for 4 padlocks with bow diameter up to 7 mm

Logistics data	
Weight/pcs	2.25 kg / Piece

Logistics data	
Packaging	Carton
Content amount	1 ST
EAN	4024941169011
Length	326 mm
Width	217 mm
Height	210 mm
Weight	2.466 kg
Volume	13,588.4 ccm



Ampere Polzahl	63 3	63 4	63 5			
a	160,0	160,0	160,0			
b	260,0	260,0	260,0			
c	140,0	140,0	140,0			
d	240,0	240,0	240,0			
e	184,0	184,0	184,0			
f	302,0	302,0	302,0			
g ø	8,1	8,1	8,1			
h	10,0	10,0	10,0			
i	M40	M40	M40			
k	M32/40	M32/40	M32/40			

12 MB 30