

## wall mounting socket outlet, fused - housing dimension 225x118, with mounting rail



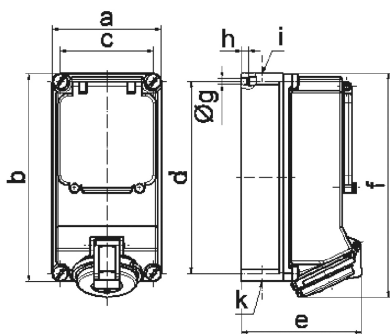
| Product description       |   |
|---------------------------|---|
| BALS-Prd.-Nr              | 1585  |
| EAN                       | 4024941015851                                       |
| Product category          | Quick-Connect TE wall mounting socket outlet, fused |
| Current                   | 32A   |
| Number of poles           | 5p  |
| Arrangement of phases     | 3p+N+PE   |
| Position of earth contact | 6 h   |
| Voltage                   | 200/346 - 240/415V~                                 |

| Product description    |  |
|------------------------|--|
| Frequency              | 50/60Hz  |
| Protection degree      | IP44   |
| Colour code            | red RAL 3000   |
| Colour of appliance    | Hinged lid red RAL 3000, Housing bottom grey RAL 7035, Housing screws grey RAL 7035, Housing top grey RAL 7035, Operating window smoky topaz |
| Connection design      | screwless spring terminals with Kontex-Kontakt   |
| Maximum conductor size | 10,0 qmm   |
| Cable entry            | top entry M25/M25 bottom entry M25   |
| Height                 | 251mm  |
| Width                  | 118mm  |
| Depth                  | 141mm  |
| Dimension of enclosure | 225x118 mm (HxW)   |
| Material of enclosure  | Polycarbonate  |
| Contacts               | the contacts are brass nickel plated, The contact carrier is made of polyamide   |

| Additional technical properties |  |
|---------------------------------|--|
|                                 | The cable entry is one at top open, one at top is closed, and two at bottom are closed                   |
|                                 | With mounting rail, With mounting rail for 5 modules, vertical, Protective cover for fuses with stamping |

| Logistics data |                 |
|----------------|-----------------|
| Weight/pcs     | 0.87 kg / Piece |

| Logistics data |               |
|----------------|---------------|
| Packaging      | Carton        |
| Content amount | 1 ST          |
| EAN            | 4024941015851 |
| Length         | 275 mm        |
| Width          | 175 mm        |
| Height         | 137 mm        |
| Weight         | 0.995 kg      |
| Volume         | 5,737.5 ccm   |



| Ampere  | 16      | 16      | 32      | 32      | 32      |
|---------|---------|---------|---------|---------|---------|
| Polzahl | 4       | 5       | 3       | 4       | 5       |
| a       | 118,0   | 118,0   | 118,0   | 118,0   | 118,0   |
| b       | 225,0   | 225,0   | 225,0   | 225,0   | 225,0   |
| c       | 101,0   | 101,0   | 101,0   | 101,0   | 101,0   |
| d       | 208,0   | 208,0   | 208,0   | 208,0   | 208,0   |
| e       | 123,0   | 130,0   | 134,0   | 134,0   | 141,0   |
| f       | 242,0   | 242,0   | 250,0   | 250,0   | 250,0   |
| g       | 6,5     | 6,5     | 6,5     | 6,5     | 6,5     |
| h ø     | 8,0     | 8,0     | 8,0     | 8,0     | 8,0     |
| i       | 2 x M25 | 2 x M25 | 2 x M25 | 2 x M25 | 2 x M25 |
| k       | 2 x M25 | 2 x M25 | 2 x M25 | 2 x M25 | 2 x M25 |

14 MB 13