

# Radium

## Technical information

### LED T8 NEO 36

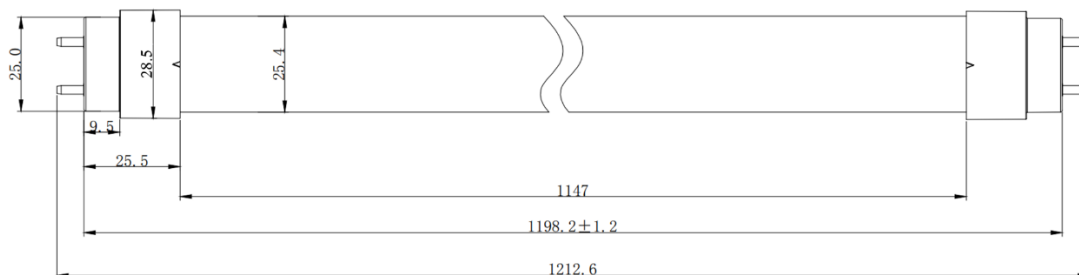
LED T8 Neo Tube for the replacement of 36W T8 fluorescent lamps and operation on constant current LED drivers. Not suitable for operation on ECGs, CCGs or mains voltage. The tube is made of frosted glass and has a shatter protection. Variable luminous flux (up to 3418lm) which depends on the current. The LED T8 Neo is polarity neutral and has a lifetime of 70,000h L80B10. Dimmable when using a dimmable LED driver.

Compatible Radium LED drivers:

- OTDA4031 DRIVER DALI 30W/550-750mA IP20
- OTNA4034 DRIVER 30W/700mA IP20



### Drawing



### Technical Data

#### General data

Code	LED T8 NEO 36 840/G13	LED T8 NEO 36 865/G13
Article No.	43719850	43719851
EAN10	4008597198502	4008597198519
EAN40	4008597498503	4008597498510
Weight [g]	160 g	160 g
Length [mm]	1213 mm	1213 mm
Diameter base [mm]	28.5 mm	28.5 mm
Diameter Tube [mm]	25.4 mm	25.4 mm
Service life L80/B10 @Ta(max.)	70,000 h	70,000 h
Servie life L70/B10 @Ta(max.)	100,000 h	100,000 h
Energylabel A to G	C	C
Guarantee	5 years	5 years
LED	SMD 2835 60mA	SMD 2835 60mA

#### Operating conditions

Permissible ambient temperature Ta [°C]	-20°C...+50°C	-20°C...+50°C
Permissible storage temperature [°C]	-20°C...+60°C	-20°C...+60°C
Permissible Tc temperature [°C]	-20°C...+65°C	-20°C...+65°C
Max. permissible Tc temperature [°C]	+70°C	+70°C
Degree of protection (IP)	IP20	IP20
Operating mode	LED-Driver, constant current, DC	LED-Driver, constant current, DC

#### Electrical Parameter

Radium Lampenwerk GmbH  
P.O. Box 1440 - 51678 Wipperfürth

+49-2267 - 81 - 1  
FAX +49-2267 - 81 - 231

Information no. 9902-01-2112

# Radium

## Technical information

Rated power* [W]	13,9 W	13,9 W
Voltage [V DC]	19 - 21 V	19 - 21 V
Operating current [mA]	700 mA	700 mA
Permissible output current [mA]	500 - 1000 mA	500 - 1000 mA
Dimmable	yes	yes
Energy consumption in 10.000h* [kWh]	14 kWh	14 kWh
Operable number with one OTDA4031	1 – 2 pcs	1 – 2 pcs
Operable number with one OTNA4034	2 pcs	2 pcs

\* @700mA

### Photometric Parameter

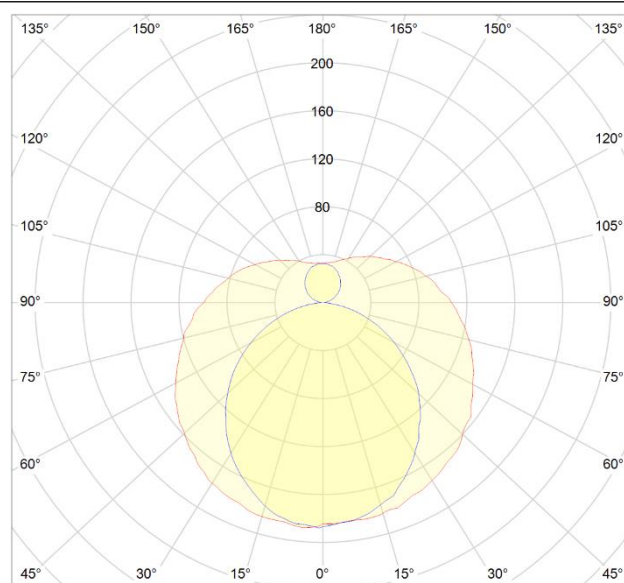
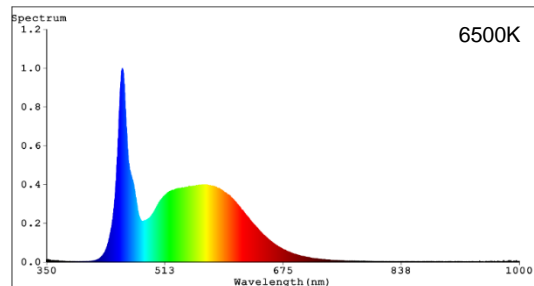
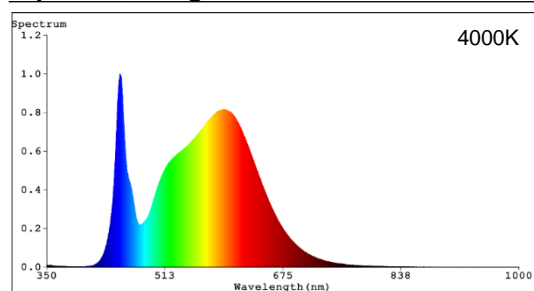
Rated luminous flux* [lm]	2460 lm	2422 lm
Beam angle [°]	160 °	160 °
Luminous efficiency* [lm/W]	177 lm/W	174 lm/W
Color temperature [K]	4000 K	6500 K
Color rendering index [CRI]	≥ 80	≥ 80
Color stability	≤ 5 SDCM	≤ 5 SDCM
Color stability typical	3 SDCM	3 SDCM

\* @700mA

### Operating current table

Operating current	Voltage	Power	Luminous efficacy 4000K	Luminous flux 4000K	Luminous efficacy 6500K	Luminous flux 6500K
1.000 mA	20,2 V	20,2 W	169 lm/W	3.418 lm	167 lm/W	3.368 lm
950 mA	20,1 V	19,1 W	170 lm/W	3.258 lm	168 lm/W	3.210 lm
900 mA	20,1 V	18,1 W	171 lm/W	3.099 lm	169 lm/W	3.053 lm
850 mA	20,0 V	17,0 W	173 lm/W	2.939 lm	170 lm/W	2.895 lm
800 mA	20,0 V	16,0 W	174 lm/W	2.779 lm	171 lm/W	2.737 lm
750 mA	19,9 V	14,9 W	175 lm/W	2.620 lm	173 lm/W	2.580 lm
<b>700 mA</b>	<b>19,9 V</b>	<b>13,9 W</b>	<b>177 lm/W</b>	<b>2.460 lm</b>	<b>174 lm/W</b>	<b>2.422 lm</b>
650 mA	19,8 V	12,9 W	178 lm/W	2.288 lm	175 lm/W	2.253 lm
600 mA	19,7 V	11,8 W	179 lm/W	2.116 lm	176 lm/W	2.083 lm
550 mA	19,7 V	10,8 W	180 lm/W	1.944 lm	177 lm/W	1.914 lm
500 mA	19,6 V	9,8 W	181 lm/W	1.772 lm	178 lm/W	1.744 lm

### Spectrum / Light distribution



Radium Lampenwerk GmbH  
P.O. Box 1440 - 51678 Wipperfürth

+49-2267 - 81 - 1  
FAX +49-2267 - 81 - 231

Information no. 9902-01-2112

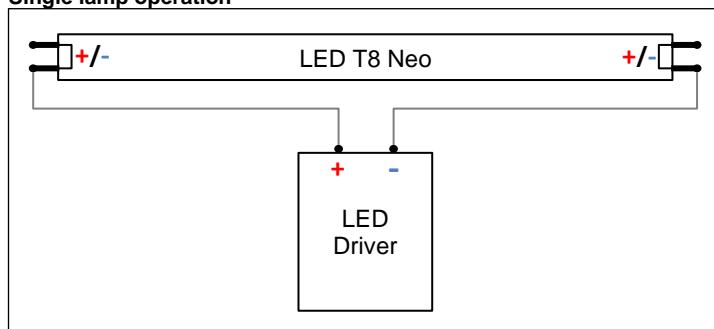
Validity: The technical information sheets (TI sheets) are updated at irregular intervals! The user is responsible for the validity and up-to-dateness of this TI sheet. With the publication of this TI sheet, all previous editions for this lamp type lose their validity.

# Radium

## Technical information

### Wiring diagram

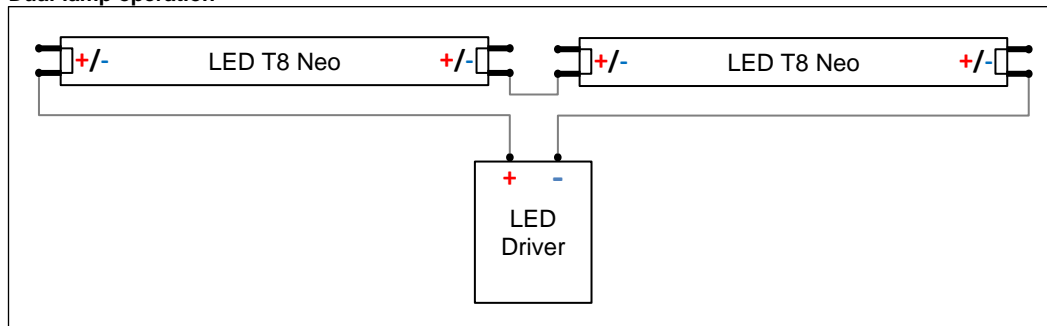
#### Single lamp operation



Recommended Radium LED-Driver:

- OTDA4031 DRIVER DALI 30W/550-750mA IP20

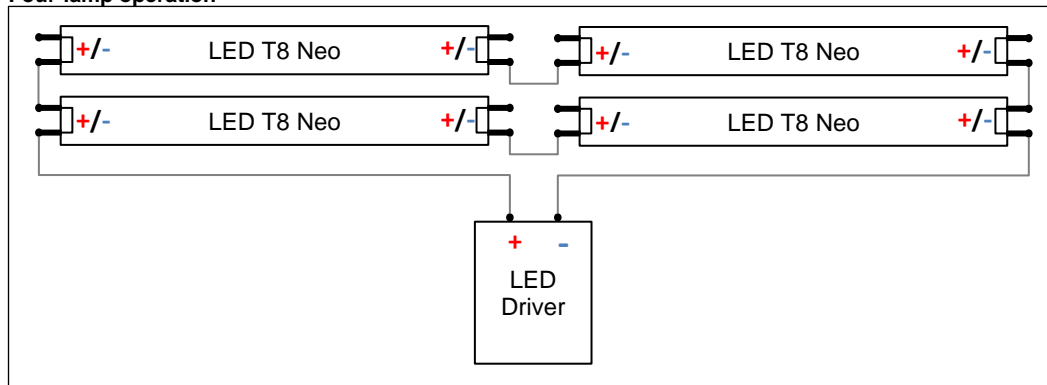
#### Dual-lamp operation



Recommended Radium LED-Driver:

- OTDA4031 DRIVER DALI 30W/550-750mA IP20
- OTNA4034 DRIVER 30W/700mA IP20

#### Four-lamp operation



Recommended Radium LED-Driver:

- OTDA4032 DRIVER DALI 60W/1100-1500mA IP20
- OTNA4035 DRIVER 50W/1200mA IP20

#### Notes

- The LED T8 Neo Tube is polarity-neutral. To ensure the function, it is only necessary to make sure that one pole is connected with each end of the tube. The contacts at the respective ends are bridged.
- Due to the splinter protection, the tube can also be used for the illumination of food production plants.
- The specified service life is also achieved at the highest permissible operating current.
- If the current exceeds the permissible operating current range, the warranty does not apply.

Radium Lampenwerk GmbH  
P.O. Box 1440 - 51678 Wipperfürth

+49-2267 - 81 - 1  
FAX +49-2267 - 81 - 231

Information no. 9902-01-2112