

## phase sequence indicator - test plug

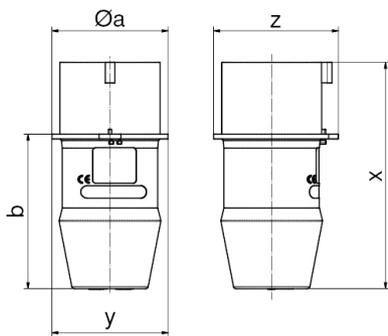


Product description	
BALS-Prd.-Nr	2217
EAN	4024941022170
Product category	Phase sequence indicator
Current	32A
Number of poles	4p
Arrangement of phases	3P+PE
Position of earth contact	6 h
Voltage	380 - 415V~
Frequency	50/60Hz

Product description	
Protection degree	IP44
Display of the three phases	TRUE
Motor rotation direction test.	FALSE
No-contact detection of direc.	TRUE
Height	142mm
Width	66mm
Depth	66mm

Logistics data	
Weight/pcs	0.225 kg / Piece
Packaging	Bag
Content amount	1 ST
EAN	4024941022170
Length	66 mm
Width	66 mm
Height	142 mm
Weight	0.226 kg
Volume	618.552 ccm
Packaging	Carton
Content amount	10 ST
EAN	4024941834445

Logistics data	
Length	245 mm
Width	177 mm
Height	185 mm
Weight	2.383 kg
Volume	7,140 ccm



Ampere	16	16	32	32
Polzahl	4	5	4	5
$\varnothing a$	58,0	64,0	66,0	73,0
b	76,0	80,0	95,0	98,0
x	112,0	116,0	141,0	144,0
y	58,0	64,0	66,0	73,0
z	63,0	68,0	78,0	79,0

