

## wall mounting appliance inlet - without closure cap



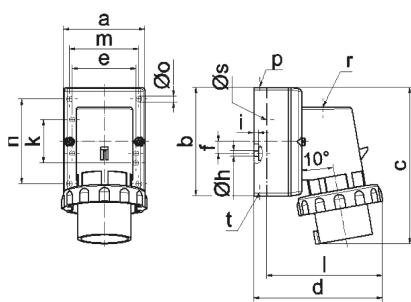
| Product description       |                               |
|---------------------------|-------------------------------|
| BALS-Prd.-Nr              | 2402                          |
| EAN                       | 4024941024020                 |
| Product category          | Wall mounting appliance inlet |
| Current                   | 32A                           |
| Number of poles           | 5p                            |
| Arrangement of phases     | 3p+N+PE                       |
| Position of earth contact | 6 h                           |
| Voltage                   | 200/346 - 240/415V~           |
| Frequency                 | 50/60Hz                       |

| Product description    |  |
|------------------------|--|
| Protection degree      | IP67   |
| Colour code            | red RAL 3000   |
| Colour of appliance    | Housing bottom grey RAL 7035, Housing top grey RAL 7035, Collar red RAL 3000, Bayonet ring grey RAL 7035 |
| Connection design      | with screw terminal  |
| Maximum conductor size | 6,0 qmm  |
| Cable entry            | top entry M25  |
| Height                 | 139mm  |
| Width                  | 100mm  |
| Depth                  | 125mm  |
| Dimension of enclosure | 75x90 mm (HxW)   |
| Material of enclosure  | Polyamide  |
| Contacts               | the contacts are brass nickel plated, The contact carrier is made of polyamide                           |

| Additional technical properties |  |
|---------------------------------|--|
|                                 | The cable entry is one at top open and one rear sided closed |

| Logistics data |                  |
|----------------|------------------|
| Weight/pcs     | 0.337 kg / Piece |
| Packaging      | Bag              |
| Content amount | 1 ST             |

| Logistics data |               |
|----------------|---------------|
| EAN            | 4024941024020 |
| Length         | 125 mm        |
| Width          | 100 mm        |
| Height         | 139 mm        |
| Weight         | 0.338 kg      |
| Volume         | 1,737.5 ccm   |
| Packaging      | Carton        |
| Content amount | 10 ST         |
| EAN            | 4024941967679 |
| Length         | 330 mm        |
| Width          | 216 mm        |
| Height         | 260 mm        |
| Weight         | 3.596 kg      |
| Volume         | 17,062.5 ccm  |



5 MB 128

| Ampere Polzahl | 16<br>3 | 16<br>4 | 16<br>5 | 32<br>3 | 32<br>4 | 32<br>5 |
|----------------|---------|---------|---------|---------|---------|---------|
| a              | 64,0    | 75,0    | 84,0    | 90,0    | 90,0    | 90,0    |
| b              | 87,0    | 100,0   | 84,0    | 75,0    | 75,0    | 75,0    |
| c              | 137,0   | 151,0   | 136,0   | 138,0   | 138,0   | 139,0   |
| d              | 112,0   | 119,0   | -       | 122,0   | 122,0   | 123,0   |
| e              | 51,0    | 59,0    | -       | -       | -       | -       |
| f              | -       | 11,0    | -       | -       | -       | -       |
| h ø            | 4,1     | 5,1     | -       | -       | -       | -       |
| i              | 4,5     | 4,5     | -       | -       | -       | -       |
| k              | 40,0    | -       | -       | -       | -       | -       |
| l              | -       | -       | 111,0   | -       | -       | -       |
| m              | -       | -       | 64,0    | 78,0    | 78,0    | 78,0    |
| n              | -       | -       | 64,0    | 45,0    | 45,0    | 45,0    |
| o ø            | -       | -       | 5,5     | 5,5     | 5,5     | 5,5     |
| p              | M20     | M20     | -       | -       | -       | -       |
| r              | -       | -       | M20     | M25     | M25     | M25     |
| s ø            | -       | -       | 23,0    | 29,0    | 29,0    | 29,0    |
| t              | für M20 | für M20 | -       | -       | -       | -       |