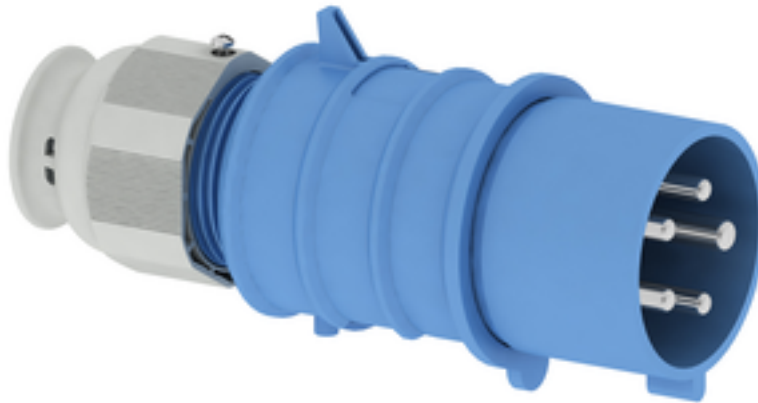


## plug - with screwless terminals, for harsh applications



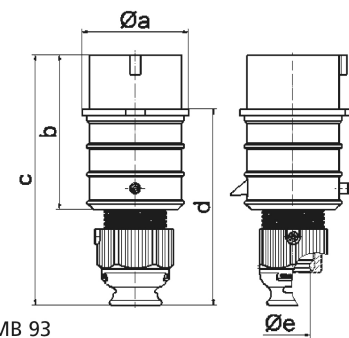
| Product description       |                       |
|---------------------------|-----------------------|
| BALS-Prd.-Nr              | 21842                 |
| EAN                       | 4024941218429         |
| Product category          | QUICK-CONNECT TE plug |
| Current                   | 32A                   |
| Number of poles           | 5p                    |
| Arrangement of phases     | 3p+N+PE               |
| Position of earth contact | 9 h                   |
| Voltage                   | 120/208 - 144/250V~   |
| Frequency                 | 50/60Hz               |

| Product description    |  |
|------------------------|--|
| Protection degree      | IP44   |
| Colour code            | blue RAL 5015  |
| Colour of appliance    | Collar blue RAL 5015, Housing cover blue RAL 5015, Cable gland grey RAL 7035                             |
| Connection design      | screwless spring-clamp technology  |
| Maximum conductor size | 6,0 qmm  |
| Cable entry            | with cable gland   |
| Height                 | 181mm  |
| Width                  | 72mm   |
| Depth                  | 87mm   |
| Material of enclosure  | Polyamide  |
| Contacts               | The contact carrier is made of high temperature resistant material, the contacts are brass nickel plated |

| Additional technical properties |  |
|---------------------------------|--|
|                                 | Multi-Grip cable gland with gasket, integrated cable clamp and additional water evacuation openings, For cable diameter from 13 up to max. 27 mm |

| Logistics data |                  |
|----------------|------------------|
| Weight/pcs     | 0.289 kg / Piece |
| Packaging      | Bag              |
| Content amount | 1 ST             |
| EAN            | 4024941218429    |

| Logistics data |               |
|----------------|---------------|
| Length         | 87 mm         |
| Width          | 72 mm         |
| Height         | 181 mm        |
| Weight         | 0.29 kg       |
| Volume         | 1,133.784 ccm |
| Packaging      | Carton        |
| Content amount | 10 ST         |
| EAN            | 4024941822619 |
| Length         | 258 mm        |
| Width          | 183 mm        |
| Height         | 212 mm        |
| Weight         | 3.042 kg      |
| Volume         | 8,750 ccm     |



| Ampere         | 16    | 16    | 16    | 32    | 32    | 32    |
|----------------|-------|-------|-------|-------|-------|-------|
| Polzahl        | 3     | 4     | 5     | 3     | 4     | 5     |
| a ø            | 51,0  | 57,5  | 65,0  | 66,0  | 66,0  | 72,0  |
| b              | 95,0  | 95,0  | 97,0  | 118,0 | 118,0 | 117,0 |
| c              | 145,0 | 145,0 | 152,0 | 178,0 | 178,0 | 181,0 |
| d              | 109,0 | 109,0 | 116,0 | 133,0 | 133,0 | 135,5 |
| e ø            | 18,0  | 18,0  | 21,0  | 23,0  | 23,0  | 27,0  |
| Leiter mm² min | 1     | 1     | 1     | 2,5   | 2,5   | 2,5   |
| Leiter mm² max | 2,5   | 2,5   | 2,5   | 6     | 6     | 6     |
|                |       |       |       |       |       |       |
|                |       |       |       |       |       |       |
|                |       |       |       |       |       |       |
|                |       |       |       |       |       |       |

2 MB 93