

## phase sequence indicator - test plug

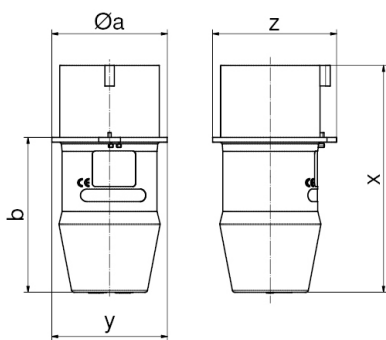


Product description	
BALS-Prd.-Nr	2214
EAN	4024941022149
Product category	Phase sequence indicator
Current	16A
Number of poles	5p
Arrangement of phases	3p+N+PE
Position of earth contact	6 h
Voltage	200/346 - 240/415V~
Frequency	50/60Hz

Product description	
Protection degree	IP44
Display of the three phases	TRUE
Motor rotation direction test.	FALSE
No-contact detection of direc.	TRUE
Height	117mm
Width	64mm
Depth	64mm

Logistics data	
Weight/pcs	0.175 kg / Piece
Packaging	Bag
Content amount	1 ST
EAN	4024941022149
Length	64 mm
Width	64 mm
Height	117 mm
Weight	0.176 kg
Volume	479.232 ccm
Packaging	Carton
Content amount	10 ST
EAN	4024941953009

Logistics data	
Length	275 mm
Width	175 mm
Height	137 mm
Weight	1.875 kg
Volume	5,737.5 ccm



Ampere	16	16	32	32
Polzahl	4	5	4	5
$\varnothing a$	58,0	64,0	66,0	73,0
$b$	76,0	80,0	95,0	98,0
$x$	112,0	116,0	141,0	144,0
$y$	58,0	64,0	66,0	73,0
$z$	63,0	68,0	78,0	79,0