

plug - with TE screw terminals, for harsh applications



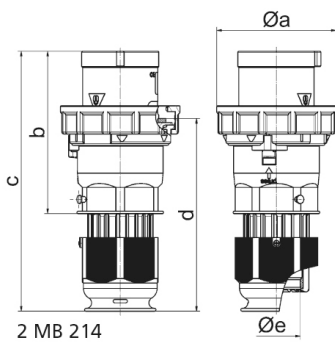
Product description	
BALS-Prd.-Nr	2196
EAN	4024941021968
product category	TE plug with Multi-Grip cable gland
current	125A
number of poles	4p
number of poles	3P+PE
position of earth contact	7 h
voltage	480 up to 500V
frequency	50 and 60Hz

Product description	
protection degree	IP67
colour code	black RAL 9005
Colour of appliance	Pusher grey, Collar black, Bayonet ring grey, Cable gland grey, Housing cover black
connection design	screw terminal as box terminal
maximum conductor size	50.0 qmm
cable entry	Cable gland
Height	282mm
Width	126mm
Depth	126mm
material of enclosure	Polyamide
contact	The contact carrier is made of high temperature resistant material, the contacts are brass nickel plated

Additional technical properties	
	For cable diameter from 26 up to max. 50 mm, Multi-Grip cable gland with gasket, integrated cable clamp and additional water evacuation openings

Logistics data	
Weight/pcs	1.135 kg / Piece
Packaging	Bag
Content amount	1 ST
EAN	4024941021968

Logistics data	
Length	126 mm
Width	126 mm
Height	282 mm
Weight	1.136 kg
Volume	4,477.032 ccm
Packaging	Carton
Content amount	5 ST
EAN	4024941964494
Length	345 mm
Width	345 mm
Height	217 mm
Weight	6.01 kg
Volume	24,276 ccm



Ampere	125	125	125				
Polzahl	3	4	5				
a ø	126,0	126,0	126,0				
b	181,0	181,0	181,0				
c	282,0	282,0	282,0				
d	206,0	206,0	206,0				
e ø	50,0	50,0	50,0				
Leiter mm ² min	16	16	16				
Leiter mm ² max	50	50	50				