

phase sequence indicator - test plug without major keyway

Abbildung ähnlich - similar picture

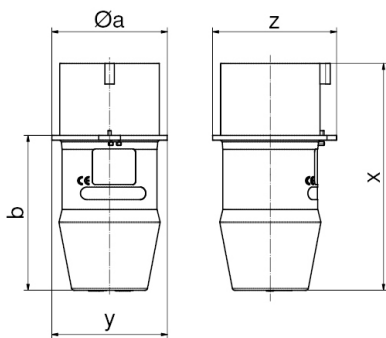


Product description	
BALS-Prd.-Nr	2230
EAN	4024941022309
Product category	Phase sequence indicator
Current	32A
Number of poles	4p
Arrangement of phases	3P+PE
Position of earth contact	no polarising key
Voltage	230 - 600V~

Product description	
Protection degree	IP44
Display of the three phases	TRUE
Motor rotation direction test.	FALSE
No-contact detection of direc.	TRUE
Height	142mm
Width	66mm
Depth	66mm

Logistics data	
Weight/pcs	0.23 kg / Piece
Packaging	Bag
Content amount	1 ST
EAN	4024941022309
Length	66 mm
Width	66 mm
Height	142 mm
Weight	0.231 kg
Volume	618.552 ccm
Packaging	Carton
Content amount	10 ST
EAN	4024941834537

Logistics data	
Length	245 mm
Width	177 mm
Height	185 mm
Weight	2.433 kg
Volume	7,140 ccm



Ampere	16	16	32	32
Polzahl	4	5	4	5
$\varnothing a$	58,0	64,0	66,0	73,0
b	76,0	80,0	95,0	98,0
x	112,0	116,0	141,0	144,0
y	58,0	64,0	66,0	73,0
z	63,0	68,0	78,0	79,0