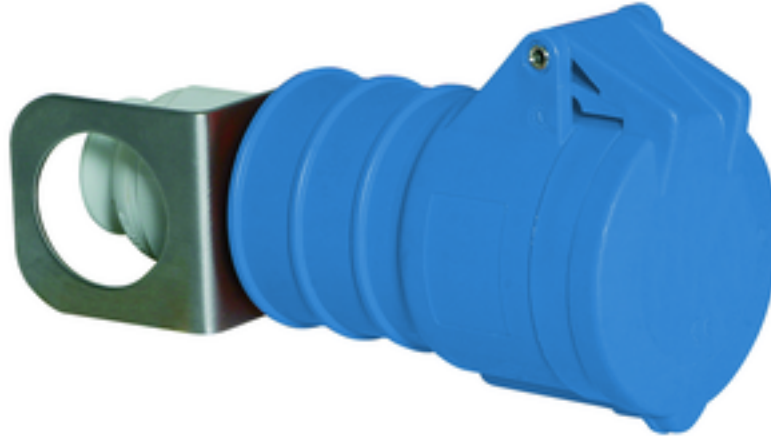


hanging connector - with Multi-Grip, with suspension clip



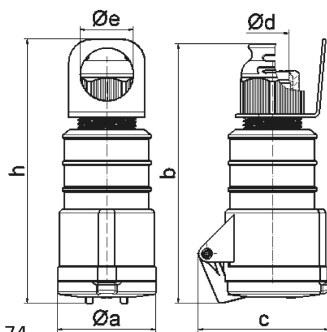
Product description	
BALS-Prd.-Nr	3209
EAN	4024941032094
Product category	Quick-Connect TE hanging connector
Current	16A
Number of poles	3p
Arrangement of phases	2P+PE
Position of earth contact	6 h
Voltage	200 - 250V~
Frequency	50/60Hz

Product description	
Protection degree	IP44
Colour code	blue RAL 5015
Colour of appliance	Hinged lid blue RAL 5015, Cable gland grey RAL 7035, Enclosure blue RAL 5015
Connection design	screwless spring terminals with Kontex-Kontakt
Maximum conductor size	2,5 qmm
Cable entry	with cable gland
Height	174mm
Width	51mm
Depth	72mm
Material of enclosure	Polyamide
Contacts	The contact carrier is made of high temperature resistant material, the contacts are brass nickel plated

Additional technical properties	
	Multi-Grip cable gland with gasket, integrated cable clamp and additional water evacuation openings, For cable diameter from 8 up to max. 18 mm

Logistics data	
Weight/pcs	0.205 kg / Piece
Packaging	Bag
Content amount	1 ST
EAN	4024941032094

Logistics data	
Length	72 mm
Width	51 mm
Height	174 mm
Weight	0.206 kg
Volume	638.928 ccm
Packaging	Carton
Content amount	10 ST
EAN	4024941819305
Length	275 mm
Width	175 mm
Height	137 mm
Weight	2.175 kg
Volume	5,737.5 ccm



3 MB 74

Ampere	16	16	16	32	32	32
Polzahl	3	4	5	3	4	5
a ø	51,0	58,0	65,0	66,5	66,5	72,0
b	156,0	162,0	168,0	195,0	195,0	198,0
c	72,0	78,0	86,0	89,0	89,0	99,0
d ø	18,0	18,0	21,0	23,0	23,0	27,0
e ø	39,5	39,5	35,5	48,5	48,5	44,5
h	167,5	173,5	171,5	208,0	208,0	205,0
Leiter mm ² min	1	1	1	2,5	2,5	2,5
Leiter mm ² max	2,5	2,5	2,5	6	6	6