

## panel mounting socket outlet low voltage - straight execution, flange 55x55, fixing centers 45x45

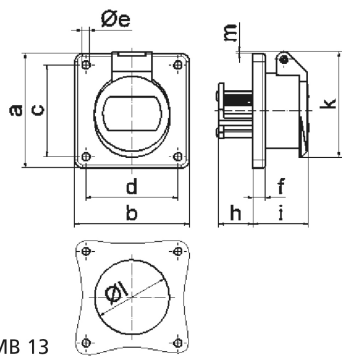


| Product description       |  |
|---------------------------|--|
| BALS-Prd.-Nr              | 4312                                       |
| EAN                       | 4024941043120                              |
| Product category          | ELV panel mounting socket outlet, straight |
| Current                   | 32A  |
| Number of poles           | 2p   |
| Arrangement of phases     | 2P   |
| Position of earth contact | 12 h                                       |
| Voltage                   | 40 up to 50V                               |

| Product description            |  |
|--------------------------------|--|
| Frequency                      | 50/60Hz  |
| Protection degree              | IP44   |
| Colour code                    | grey RAL 7035  |
| Colour of appliance            | Hinged lid grey RAL 7035, Enclosure grey RAL 7035                              |
| Connection design              | with screw terminal  |
| Maximum conductor size         | 10,0 qmm   |
| Cable entry                    | other  |
| Height                         | 67mm   |
| Width                          | 55mm   |
| Depth                          | 59mm   |
| Flange size vertical in mm     | 55mm   |
| Flange size horizontal in mm   | 55mm   |
| Drill hole dist. vertical mm   | 45mm   |
| Drill hole dist. horizontal mm | 45mm   |
| Material of enclosure          | Polyamide  |
| Contacts                       | The contact carrier is made of polyamide, the contacts are brass nickel plated |

| Logistics data |                  |
|----------------|------------------|
| Weight/pcs     | 0.107 kg / Piece |
| Packaging      | Bag              |
| Content amount | 1 ST             |

| Logistics data |               |
|----------------|---------------|
| EAN            | 4024941043120 |
| Length         | 59 mm         |
| Width          | 55 mm         |
| Height         | 67 mm         |
| Weight         | 0.108 kg      |
| Volume         | 217.415 ccm   |
| Packaging      | Carton        |
| Content amount | 10 ST         |
| EAN            | 4024941819398 |
| Length         | 207 mm        |
| Width          | 162 mm        |
| Height         | 142 mm        |
| Weight         | 1.17 kg       |
| Volume         | 3,750 ccm     |



16 MB 13

| Ampere Polzahl             | 16<br>2 | 16<br>3 | 32<br>2 | 32<br>3 |  |  |
|----------------------------|---------|---------|---------|---------|--|--|
| a                          | 55,0    | 55,0    | 55,0    | 55,0    |  |  |
| b                          | 55,0    | 55,0    | 55,0    | 55,0    |  |  |
| c                          | 45,0    | 45,0    | 45,0    | 45,0    |  |  |
| d                          | 45,0    | 45,0    | 45,0    | 45,0    |  |  |
| e ø                        | 5,2     | 5,2     | 5,2     | 5,2     |  |  |
| f                          | 6,0     | 6,0     | 6,0     | 6,0     |  |  |
| h                          | 22,0    | 22,0    | 22,0    | 22,0    |  |  |
| i                          | 37,0    | 37,0    | 37,0    | 37,0    |  |  |
| k                          | 67,0    | 67,0    | 67,0    | 67,0    |  |  |
| l ø                        | 49,0    | 49,0    | 49,0    | 49,0    |  |  |
| m                          | 12,0    | 12,0    | 12,0    | 12,0    |  |  |
| Leiter mm <sup>2</sup> min | 4       | 4       | 4       | 4       |  |  |
| Leiter mm <sup>2</sup> max | 10      | 10      | 10      | 10      |  |  |