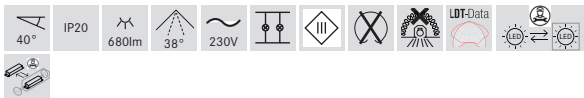
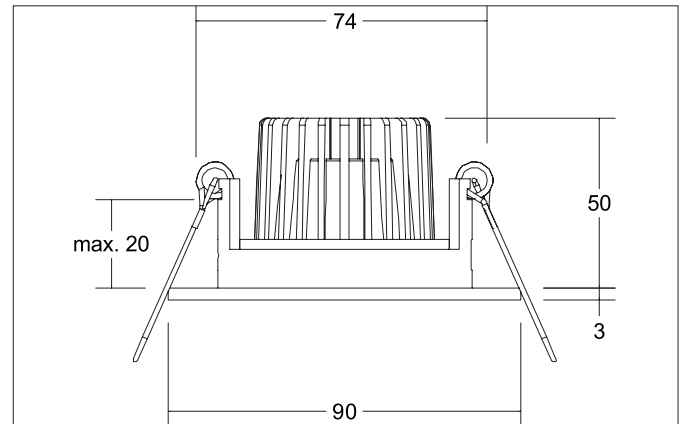


**KALINDA-R LED recessed spot set, on/off switchable**

Article no. 38453073

Light.  
For Generations.**Tender**

LED recessed spot set, on/off switchable, Round. Toolless ceiling installation by installation springs. Ceiling cut-out Ø 74 mm, Installation depth 50 mm, Outer diameter 90 mm, Weight 0,186 kg, Reflector silver with rotationssymmetrical, deep, wide distributed light intensity. optimal light distribution due to a glass transparent cover. Luminous flux 680 lm, Power 1 x 6 W, Light colour warm white, Correlated color temperature (CCT) 3.000 K, Colour rendering index CRI > 80, Housing material: Aluminium / Glass / Plastic, Colour: White, Permissible ambient temperature (ta): -20 °C - +25 °C, Protection class (EN 61140): III, Degree of protection (DIN EN 60529): IP20, .With electronic driver, on/off switchable.

**Product Benefits**

- LED recessed spotlight in round design made of solid aluminum with LED module 6 W (3,000 K) and switchable converter.
- Ceiling cut-out 74 mm, diameter 90 mm, installation depth 50 mm, IP20.
- Swivel range 40°.
- Without visible snap ring.
- Classic, formally restrained design.
- Also available in the same look in GX5.3 or GU10 versions and as a dimmable set (phase cut-off) set (trailing edge).

**KALINDA-R LED recessed spot set, on/off switchable**

Article no. 38453073

Light.  
For Generations.

| Article data       |  |
|--------------------|--|
| Article no.        | 38453073                                 |
| GTIN               | 4251433949626                            |
| Series name        | KALINDA-R                                |
| Short description  | LED recessed spot set, on/off switchable |
| Material           | Aluminium / Glass / Plastic              |
| Colour             | White                                    |
| Type of surface    | Matt                                     |
| Shape              | Round                                    |
| Outer diameter     | 90 mm                                    |
| Built-in diameter  | 74 mm                                    |
| Installation depth | 50 mm                                    |
| Hight              | 3 mm                                     |
| Weight             | 0.186 kg                                 |
| stamp              | UKCA                                     |

| Lighting technology          |            |
|------------------------------|------------|
| Colour temperature           | 3.000 K    |
| Light output                 | Direct     |
| Luminous flux                | 680 lm     |
| System efficiency            | 113 lm/W   |
| Colour rendering             | CRI > 80   |
| Reflector                    | High-gloss |
| Reflector colour             | silver     |
| Beam angle                   | 38°        |
| Light sharing                | Symmetric  |
| Adjustable color temperature | No         |

| Operating technology of the luminaire |  |
|---------------------------------------|--|
| Article No. of used light source      | 12924383   |
| Hight                                 | 32 mm  |
| Diameter                              | 50 mm  |
| Lamp holder                           | Plug&Play  |
| Power                                 | 6 W  |
| Voltage type                          | DC   |
| Current                               | 350 mA   |
| Lamp                                  | LED  |
| Protection class                      | III  |
| Degree of protection                  | IP20   |
| Bulb change possible                  | The light source of this luminaire may only be replaced by the manufacturer or a service technician commissioned by him or a similarly qualified person. |

| Mounting technology         |   |
|-----------------------------|---|
| Mounting method             | Recessed mounting                         |
| Place of installation       | Ceiling-mounted                           |
| Adjustability               | Pivoted                                   |
| Swivel angle                | 40°                                       |
| Max. ceiling thickness      | 20 mm                                     |
| Further references          | No cover with thermal insulation material |
| Material cover              | Glass transparent                         |
| Circlip                     | Without circlip                           |
| Suitable for through-wiring | Yes, with optional accessories            |

**KALINDA-R LED recessed spot set, on/off switchable**  
Article no. 38453073Light.  
For Generations.

| Packing data            |  |
|-------------------------|--|
| Gross weight            | 0.243 kg   |
| Length of packaging     | 100 mm   |
| Packaging width         | 100 mm   |
| Packaging height        | 100 mm   |
| Disposal at end of life | <p>This product must not be disposed of with household waste. You are obliged, to dispose of such electrical waste separately.</p> <p>By disposing of electrical waste and other old or defective electronics separately, you support recycling or other forms of re-use. In that way you help to take care and to avoid that harmful substances get into the environment.</p> |