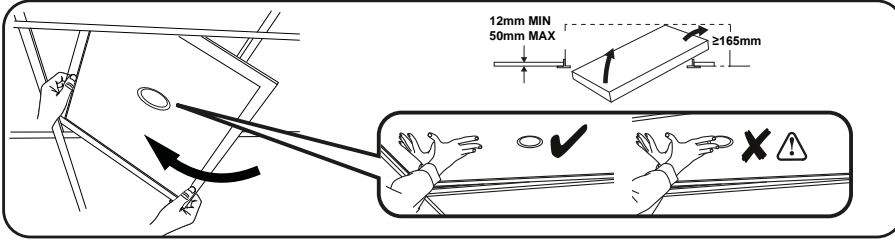
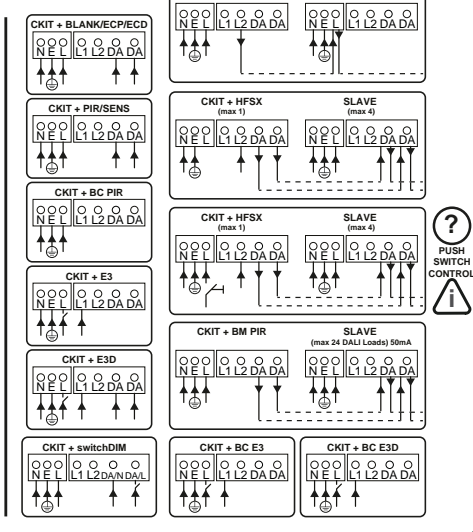
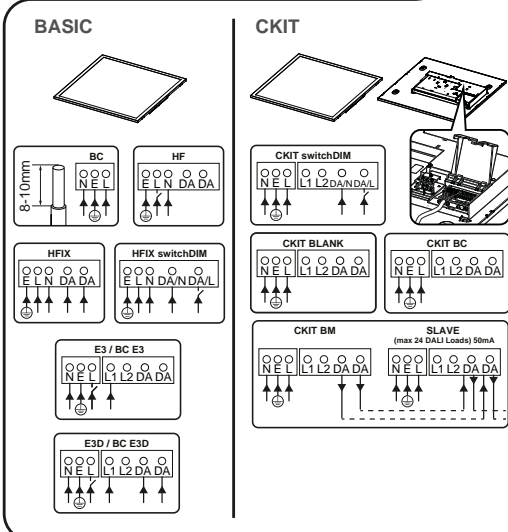
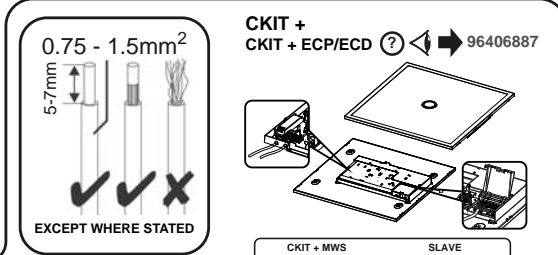
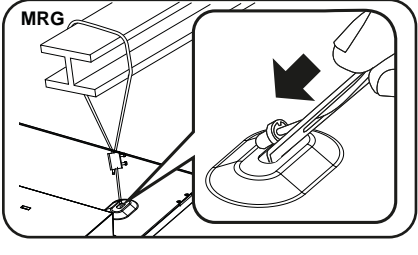
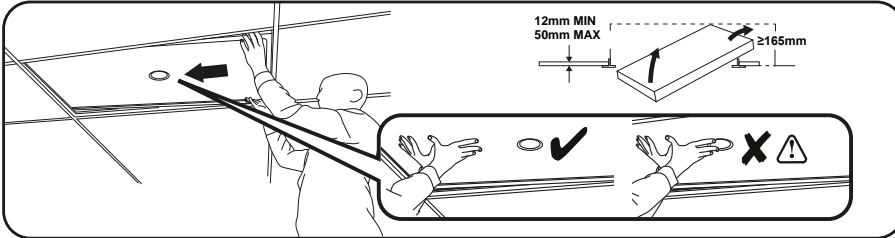


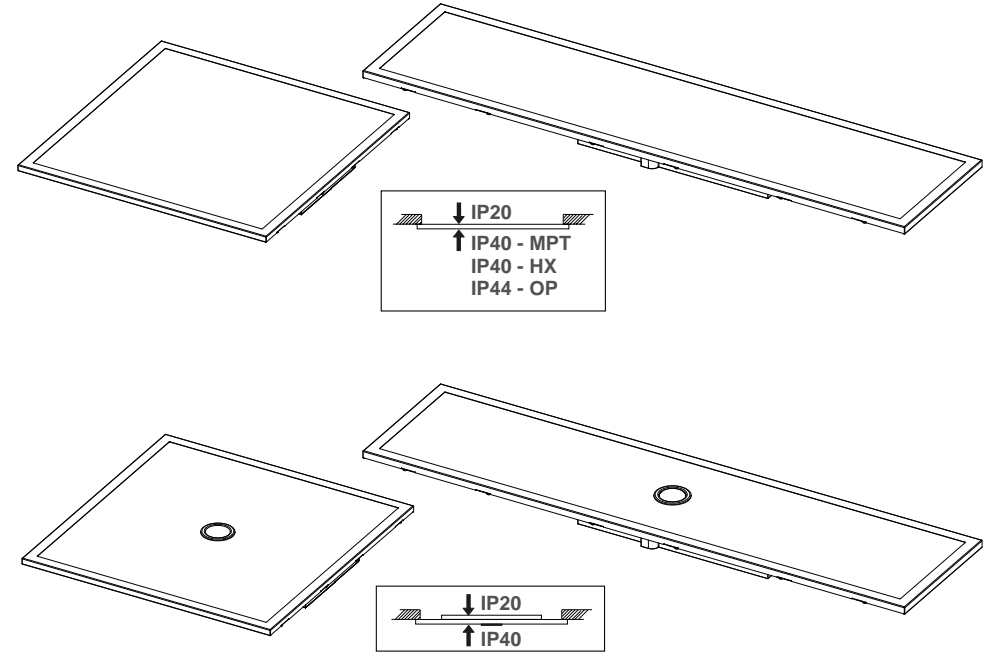
7 600/625



3x12/3x12D



THORN



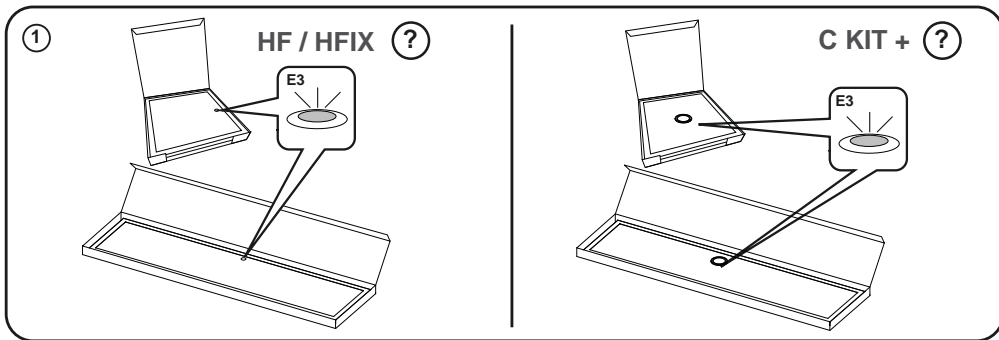
Omega Pro2 600x600 & 625x625 Omega Pro2 300x1200 & 312x1250



DE Leuchte darf nicht mit Wärmedämmung abgedeckt werden.
GB Luminaires not suitable for covering with thermally insulating material.

- [CZ] Montážní návod
- [DE] Montageanleitung
- [DK] Monteringsvejledning
- [EE] Paigaldusjuhend
- [FI] Asennusohje
- [FR] Notice de montage
- [HU] Szerelési útmutató
- [IT] Istruzioni di montaggio

- [LT] Montavimo Instrukcijos
- [LV] Instalācijas instrukcija
- [NO] Monteringsanvisning
- [PL] Instrukcja montażu
- [RU] Инструкция по монтажу
- [SE] Installationsanvisning
- [UK] Installation Instructions



2

E3/E3D (?) → 3
(?) → 7

Q600	96633189
Q625	96633190
3x12	96633191
3x12D	96633192

Q600	96633197
Q625	96633197
3x12	96633197
3x12D	96633197

Q600	96633271
Q625	96633271
3x12	96633271
3x12D	96633271

Q600/Q625	96633198
3x12/3x12D	96633300

Armstrong

SAS

Burgess 96404232

Q600	96633193
Q625	96633194
3x12	96633195
3x12D	96633196

3

CKIT+ E3/E3D
CKIT+ ECP/ECD (?) → **4**

HF / HFIX E3/E3D (?) → **5**

4

E3/E3D (?)
ECP/ECD

CKIT + ECP/ECD (?) → **6**

Click

6

5

Click?

6

x2

ii

C KIT + E3 / E3D

HF / HFIX + E3 / E3D

Click

< 3h **x**
 59010611 – LiFePO4 Lithium Iron Battery

< 3h **x**
 59010274 – LiFePO4 Lithium Iron Battery