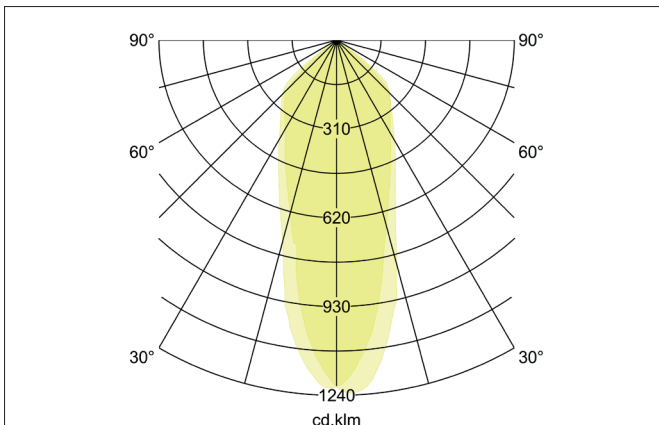
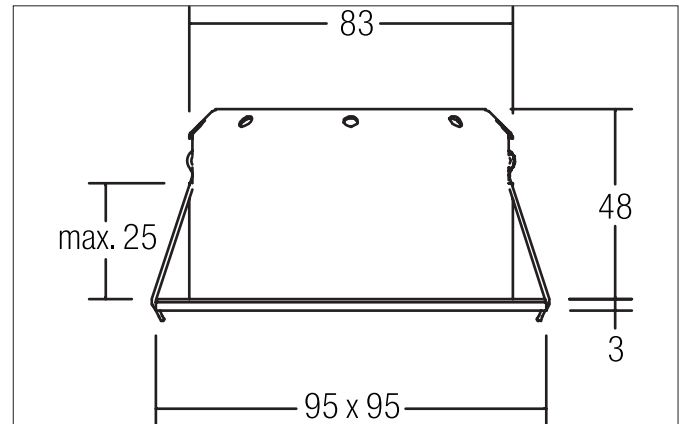
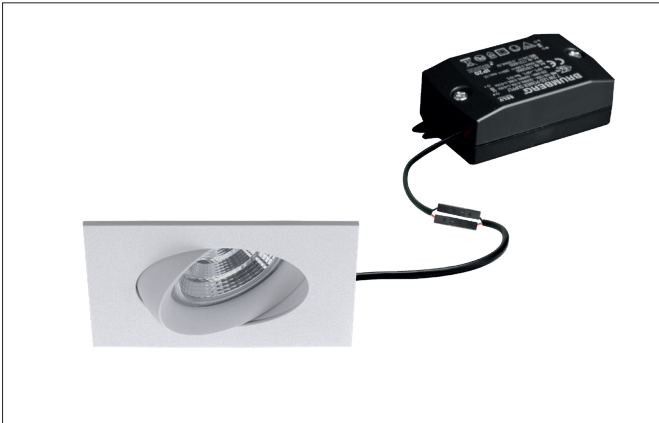


LED recessed spot set, on/off switchable

Article no. 38287173

Light.
For Generations.**Tender**

LED recessed spot set, on/off switchable, Angular.Toolless ceiling installation by installation springs. Ceiling cut-out Ø 83 mm, Installation depth 48 mm, Weight 0,290 kg, Reflector silver with rotationssymmetrical, deep, wide distributed light intensity. optimal light distribution due to a plastic, transparent cover. Luminous flux 500 lm, Power 1 x 6 W, System Efficiency 83 lm/W, Light colour warm white, Correlated color temperature (CCT) 3.000 K, Colour rendering index CRI > 85, Housing material: Aluminium / Steel / Silicone rubber / PMMA, Colour: White, Permissible ambient temperature (ta): -20 °C - +25 °C, Protection class (EN 61140): II, Degree of protection (DIN EN 60529): IP44, .For connection to an external driver, which is not included in the scope of delivery of the luminaire. on/off switchable.

Article data	
Article no.	38287173
GTIN	4251433919674
Short description	LED recessed spot set, on/off switchable
Material	Aluminium / Steel / Silicone rubber / PMMA
Colour	White
Shape	Angular
Built-in diameter	83 mm
Installation depth	48 mm
Hight	3 mm
Weight	0.290 kg

LED recessed spot set, on/off switchable

Article no. 38287173

Light.
For Generations.

Lighting technology	
Colour temperature	3.000 K
Light colour	White
Light output	Direct
Luminous flux	500 lm
System efficiency	83 lm/W
Colour rendering	CRI > 85
Reflector	High-gloss
Reflektorfarbe	silver
Light sharing	Symmetric

Operating technology of the luminaire	
Lamp holder	Plug&Play
Power	6 W
Voltage type	DC
Current	350 mA
Lamp	LED
Protection class	III
Degree of protection	IP44
Schutzart deckenseitig	IP20
Bulb change possible	The light source of this luminaire may only be replaced by the manufacturer or a service technician commissioned by him or a similarly qualified person.

Operating technology of driver	
Length	68 mm
Width	35 mm
Height	21 mm
AC nominal voltage min	220 V
AC nominal voltage max	240 V
Frequenz max.	50 Hz
Dimmable	No
Control	on/off
Starting current	10 A (max. 10ms)
Power min	1 W
Power	7.2 W
Current	350 mA
Degree of protection	IP20
Protection class	II
Flickerfrei	Yes

Mounting technology	
Mounting method	Recessed mounting
Place of installation	Ceiling-mounted
Adjustability	Pivoted
Swivel angle	30°
Rotation angle	30°
Max. ceiling thickness	25 mm
Material cover	Plastic, transparent

LED recessed spot set, on/off switchable

Article no. 38287173

Light.
For Generations.

Packing data	
Gross weight	0.34 kg
Length of packaging	140 mm
Packaging width	110 mm
Packaging height	120 mm
Disposal at end of life	<p>This product must not be disposed of with household waste. You are obliged, to dispose of such electrical waste separately.</p> <p>By disposing of electrical waste and other old or defective electronics separately, you support recycling or other forms of re-use. In that way you help to take care and to avoid that harmful substances get into the environment.</p>