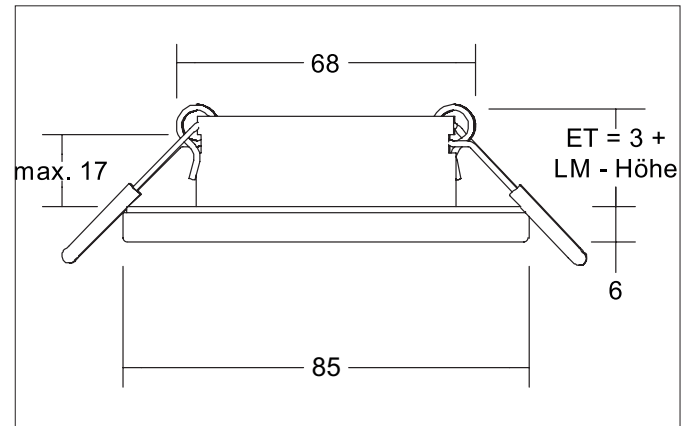


PROTECT-R Recessed downlight, IP44, without LED module

Article no. 20044180

Light.
For Generations.**Tender**

Recessed downlight, IP44, without LED module, black structure, Round. In a compact design, for installation in tool-less rapid assembly systems. All Brumberg MR16 LED modules can be used for the PROTECT recessed unit. The installation depth of the luminaire depends on the LED module used (here: 3 mm, plus height of the LED module). The LED module is not included in the scope of delivery of the flush-mount unit. Mounting method: Recessed mounting, Place of installation: Ceiling-mounted, Material: Aluminium / Glass, Degree of protection: according to DIN EN 60529 IP44, Protection class: (EN 61140) III, Power: 14 W, Adjustability: Not adjustable, without control gear, Control: Depending on driver.

Product Benefits

- Rigid recessed downlight in round design made of solid aluminum for LED modules with max. 12.5 W output.
- Protection class on room side IP44 (for installation in closed ceilings)
- Ceiling cut-out 68 mm, diameter 85 mm, installation depth 3 mm (plus height of LED module), ceiling thickness max. 17 mm.
- Without visible snap ring.
- LED module fitted from the room side, cover is screwed on.
- Classic, formally restrained design.
- Covered with clear glass (also available with satinized glass as a variant). also available.
- Also available with the same surface structure and in the same color also available in a square version.

PROTECT-R Recessed downlight, IP44, without LED module

Article no. 20044180

Light.
For Generations.

Article data	
Article no.	20044180
GTIN	4251433981374
Series name	PROTECT-R
Short description	Recessed downlight, IP44, without LED module
Material	Aluminium / Glass
Colour	White
Type of surface	Structure
Shape	Round
Outer diameter	85 mm
Built-in diameter	68 mm
Hight	6 mm
Scope of delivery	incl. glass cover clear
Weight	0.082 kg

Lighting technology	
Colour temperature	Je nach verwendetem Brumberg MR16-LED-Modul
Light output	Direct
Light sharing	Symmetric
Adjustable color temperature	No

Operating technology of the luminaire	
System output	14 W
Voltage type	DC
Lamp	For LED
Protection class	III
Degree of protection	IP44
Schutzart deckenseitig	IP20
Control	Depending on driver
Bulb change possible	Yes

Mounting technology	
Mounting method	Recessed mounting
Place of installation	Ceiling-mounted
Adjustability	Not adjustable
Max. ceiling thickness	17 mm
Further references	No cover with thermal insulation material
Material cover	Glass transparent
Circlip	Without circlip

Packing data	
Gross weight	0.12 kg
Length of packaging	115 mm
Packaging width	88 mm
Packaging hight	54 mm
Disposal at end of life	This product must not be disposed of with household waste. You are obliged, to dispose of such electrical waste separately. By disposing of electrical waste and other old or defective electronics separately, you support recycling or other forms of re-use. In that way you help to take care and to avoid that harmful substances get into the environment.