

## wall mounting socket outlet, chemically resistant - housing dimensions 170x118



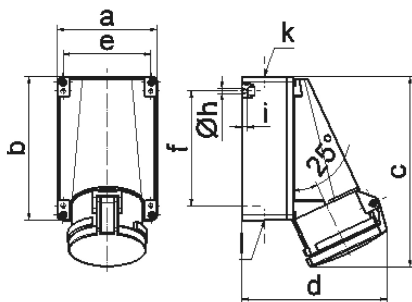
| Product description       |                                |
|---------------------------|--------------------------------|
| BALS-Prd.-Nr              | 11799                          |
| EAN                       | 4024941117999                  |
| Product category          | TE wall mounting socket outlet |
| Current                   | 63A                            |
| Number of poles           | 5p                             |
| Arrangement of phases     | 3p+N+PE                        |
| Position of earth contact | 6 h                            |
| Voltage                   | 200/346 - 240/415V~            |

| Product description    |  |
|------------------------|--|
| Frequency              | 50/60Hz  |
| Protection degree      | IP44   |
| Colour code            | red RAL 3000   |
| Colour of appliance    | Hinged lid red RAL 3000, Housing bottom lightbeige, Housing top lightbeige                               |
| Connection design      | screw terminal as box terminal with Kontex-contact   |
| Maximum conductor size | 25.0 qmm   |
| Cable entry            | top entry M40 bottom entry M32   |
| Height                 | 226mm  |
| Width                  | 118mm  |
| Depth                  | 173mm  |
| Dimension of enclosure | 170x118 mm (HxW)   |
| Material of enclosure  | Polycarbonate+Polyester light - beige  |
| Contacts               | The contact carrier is made of high temperature resistant material, the contacts are brass nickel plated |

| Additional technical properties |   |
|---------------------------------|---|
|                                 | The cable entry is one at top open and two at bottom closed |
|                                 | Lower part of housing rotatable by 180°                     |

| Logistics data |                |
|----------------|----------------|
| Weight/pcs     | 0.9 kg / Piece |

| Logistics data |               |
|----------------|---------------|
| Packaging      | Bag           |
| Content amount | 1 ST          |
| EAN            | 4024941117999 |
| Length         | 173 mm        |
| Width          | 118 mm        |
| Height         | 226 mm        |
| Weight         | 0.901 kg      |
| Volume         | 4,613.564 ccm |
| Packaging      | Carton        |
| Content amount | 5 ST          |
| EAN            | 4024941820042 |
| Length         | 345 mm        |
| Width          | 345 mm        |
| Height         | 217 mm        |
| Weight         | 4.835 kg      |
| Volume         | 24,276 ccm    |



1 MB 4

| Ampere Polzahl             | 63<br>3 | 63<br>4 | 63<br>5 |  |  |  |
|----------------------------|---------|---------|---------|--|--|--|
| a                          | 118,0   | 118,0   | 118,0   |  |  |  |
| b                          | 170,0   | 170,0   | 170,0   |  |  |  |
| c                          | 223,0   | 223,0   | 223,0   |  |  |  |
| d                          | 168,0   | 168,0   | 168,0   |  |  |  |
| e                          | 104,0   | 104,0   | 104,0   |  |  |  |
| f                          | 136,0   | 136,0   | 136,0   |  |  |  |
| h ø                        | 6,1     | 6,1     | 6,1     |  |  |  |
| i                          | 6,0     | 6,0     | 6,0     |  |  |  |
| k                          | M40     | M40     | M40     |  |  |  |
| l                          | M 32/32 | M 32/32 | M 32/32 |  |  |  |
| Leiter mm <sup>2</sup> min | 6       | 6       | 6       |  |  |  |
| Leiter mm <sup>2</sup> max | 25      | 25      | 25      |  |  |  |