

# wall mounting socket outlet - 7 poles, housing dimensions 170x90



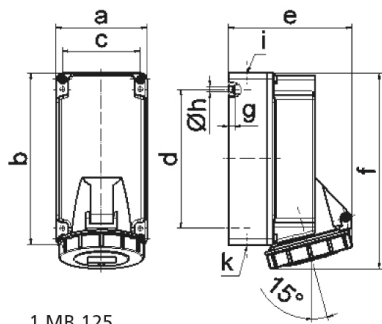
Product description	
BALS-Prd.-Nr	11542
EAN	4024941115421
Product category	TE wall mounting socket outlet
Current	16A
Number of poles	7p
Arrangement of phases	6p+PE
Position of earth contact	6 h
Voltage	400V~

Product description	
Frequency	50/60Hz
Protection degree	IP67
Colour code	red RAL 3000
Colour of appliance	Hinged lid red RAL 3000, Housing bottom grey RAL 7035, Bayonet ring grey RAL 7035, Housing top grey RAL 7035
Connection design	with screw terminal
Maximum conductor size	4,0 qmm
Cable entry	top entry M20 bottom entry M25/20
Height	195mm
Width	90mm
Depth	123mm
Dimension of enclosure	170x90 mm (HxW)
Material of enclosure	Polycarbonate
Contacts	The contact carrier is made of high temperature resistant material, the contacts are brass nickel plated

Additional technical properties	
	The cable entry is one at top open and two at bottom closed
	Lower part of housing rotatable by 180°

Logistics data	
Weight/pcs	0.495 kg / Piece

Logistics data	
Packaging	Carton
Content amount	1 ST
EAN	4024941115421
Length	124 mm
Width	91 mm
Height	196 mm
Weight	0.555 kg
Volume	2,211.664 ccm



Ampere	16								
Polzahl	7								
a	90,0								
b	170,0								
c	77,0								
d	137,5								
e	122,0								
f	195,0								
g	6,5								
h ø	5,5								
i	M20								
k	M20/25								
Leiter mm <sup>2</sup> min	1,5								
Leiter mm <sup>2</sup> max	4								