

# wall mounting socket outlet - housing dimensions 260x160



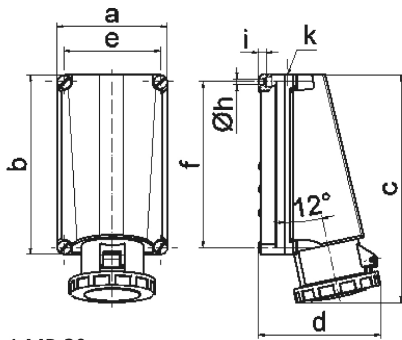
| Product description       |                             |
|---------------------------|-----------------------------|
| BALS-Prd.-Nr              | 11441                       |
| EAN                       | 4024941114417               |
| Product category          | Wall mounting socket outlet |
| Current                   | 125A                        |
| Number of poles           | 4p                          |
| Arrangement of phases     | 3P+PE                       |
| Position of earth contact | 6 h                         |
| Voltage                   | 380 - 415V~                 |

| Product description    |  |
|------------------------|--|
| Frequency              | 50/60Hz  |
| Protection degree      | IP67   |
| Colour code            | red RAL 3000   |
| Colour of appliance    | Hinged lid red RAL 3000, Housing bottom grey RAL 7035, Housing top grey RAL 7035, Housing screws grey RAL 7035, Bayonet ring grey RAL 7035 |
| Connection design      | screw terminal as box terminal with Kontex-contact   |
| Maximum conductor size | 70 mm <sup>2</sup> (possible limitation by the used cable entry)   |
| Cable entry            | 1xM50 from above   |
| Height                 | 332mm  |
| Width                  | 160mm  |
| Depth                  | 168mm  |
| Dimension of enclosure | 260x160 mm (HxW)   |
| Material of enclosure  | Polycarbonate  |
| Contacts               | The contact carrier is made of high temperature resistant material, the contacts are brass nickel plated                                   |

| Additional technical properties |                                    |
|---------------------------------|------------------------------------|
|                                 | The cable entry is one at top open |

| Logistics data |                  |
|----------------|------------------|
| Weight/pcs     | 1.965 kg / Piece |
| Packaging      | Carton           |

| Logistics data |               |
|----------------|---------------|
| Content amount | 1 ST          |
| EAN            | 4024941114417 |
| Length         | 440 mm        |
| Width          | 225 mm        |
| Height         | 165 mm        |
| Weight         | 2.193 kg      |
| Volume         | 13,545 ccm    |



1 MB 20

| Ampere Polzahl             | 125 3 | 125 4 | 125 5 |  |  |  |
|----------------------------|-------|-------|-------|--|--|--|
| a                          | 160,0 | 160,0 | 160,0 |  |  |  |
| b                          | 260,0 | 260,0 | 260,0 |  |  |  |
| c                          | 330,0 | 330,0 | 330,0 |  |  |  |
| d                          | 168,0 | 168,0 | 168,0 |  |  |  |
| e                          | 140,0 | 140,0 | 140,0 |  |  |  |
| f                          | 240,0 | 240,0 | 240,0 |  |  |  |
| h ø                        | 8,3   | 8,3   | 8,3   |  |  |  |
| i                          | 10,0  | 10,0  | 10,0  |  |  |  |
| k                          | M50   | M50   | M50   |  |  |  |
| Leiter mm <sup>2</sup> min | 25    | 25    | 25    |  |  |  |
| Leiter mm <sup>2</sup> max | 70    | 70    | 70    |  |  |  |
|                            |       |       |       |  |  |  |
|                            |       |       |       |  |  |  |