

# wall mounting socket outlet - housing dimensions 460x180



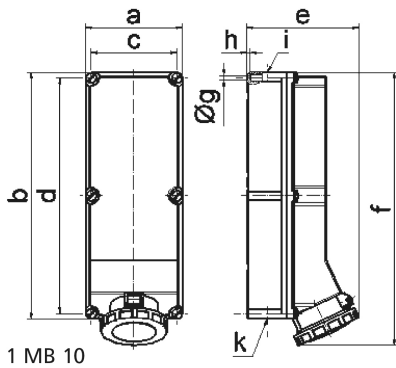
Product description	
BALS-Prd.-Nr	11479
EAN	4024941114790
Product category	Wall mounting socket outlet
Current	125A
Number of poles	5p
Arrangement of phases	3p+N+PE
Position of earth contact	6 h
Voltage	200/346 - 240/415V~

Product description	
Frequency	50/60Hz
Protection degree	IP67
Colour code	red RAL 3000
Colour of appliance	Hinged lid red RAL 3000, Housing bottom grey RAL 7035, Housing top grey RAL 7035, Bayonet ring grey RAL 7035, Housing screws grey RAL 7035
Connection design	screw terminal as box terminal with Kontex-contact
Maximum conductor size	70 mm <sup>2</sup> (possible limitation by the used cable entry)
Cable entry	top entry M40 bottom entry M50/M40
Height	512mm
Width	180mm
Depth	210mm
Dimension of enclosure	460x180 mm (HxW)
Material of enclosure	Polycarbonate
Contacts	The contact carrier is made of high temperature resistant material, the contacts are brass nickel plated

Additional technical properties	
	The cable entry is one at top and two at bottom open

Logistics data	
Weight/pcs	3.185 kg / Piece
Packaging	Carton

Logistics data	
Content amount	1 ST
EAN	4024941114790
Length	560 mm
Width	215 mm
Height	260 mm
Weight	3.647 kg
Volume	26,400 ccm



Ampere Polzahl	125 3	125 4	125 5				
a	180,0	180,0	180,0				
b	460,0	460,0	460,0				
c	160,0	160,0	160,0				
d	440,0	440,0	440,0				
e	208,0	208,0	208,0				
f	510,0	510,0	510,0				
g ø	8,3	8,3	8,3				
h	6,5	6,5	6,5				
i	M40	M40	M40				
k	M40/50	M40/50	M40/50				
Leiter mm <sup>2</sup> min	25	25	25				
Leiter mm <sup>2</sup> max	70	70	70				