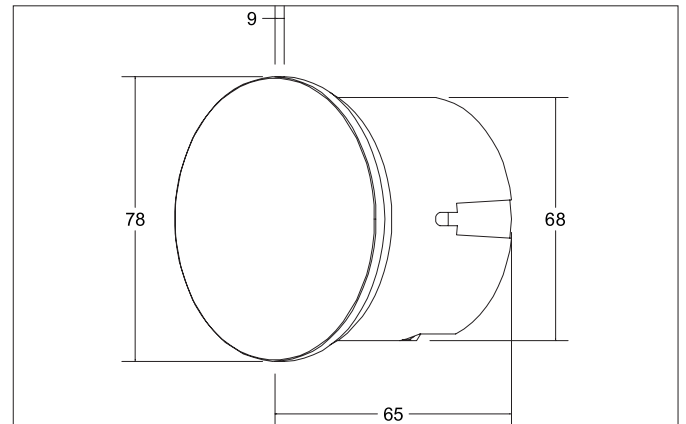
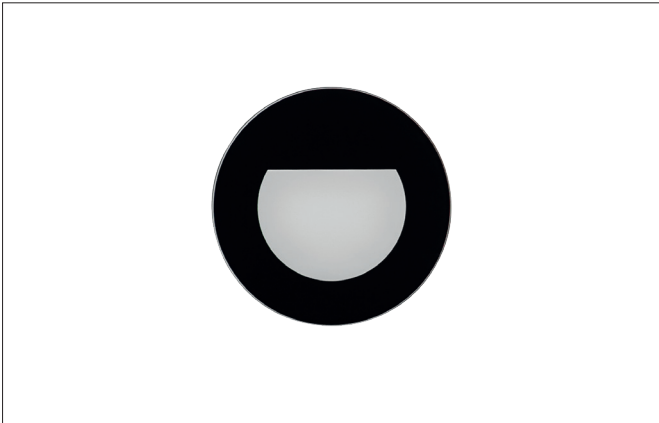


WALL KIT68-R LED wall recessed light, for device socket

Article no. 10158083

Light.
For Generations.**Tender**

LED wall recessed light, for device socket, Round. Ceiling cut-out Ø 68 mm, Installation depth 65 mm, Outer diameter 78 mm, Weight 0,161 kg, asymmetric optimal light distribution due to a glass opal cover. Luminous flux 35 lm, Power 1 x 1,5 W, Light colour warm white, Correlated color temperature (CCT) 3.000 K, Colour rendering index CRI > 90, Rated life time L70/B50 at 25 °C: 50.000 h, Housing material: Aluminium / Steel / Glass/ Plastic, Colour: Black, Permissible ambient temperature (ta): -20 °C - +25 °C, Protection class (EN 61140): I, Degree of protection (DIN EN 60529): IP20, .With electronic driver, on/off switchable.

| Article data | |
|--------------------|--|
| Article no. | 10158083 |
| GTIN | 4251433927075 |
| Series name | WALL KIT68-R |
| Short description | LED wall recessed light, for device socket |
| Material | Aluminium / Steel / Glass/ Plastic |
| Colour | Black |
| Type of surface | Glossy |
| Shape | Round |
| Outer diameter | 78 mm |
| Built-in diameter | 68 mm |
| Installation depth | 65 mm |
| Hight | 9 mm |
| Scope of delivery | With cover glass |
| Weight | 0.161 kg |
| Conformance | CE, UKCA |

WALL KIT68-R LED wall recessed light, for device socket

Article no. 10158083

Light.
For Generations.

| Lighting technology | |
|------------------------------|------------|
| Colour temperature | 3.000 K |
| Luminous flux | 35 lm |
| System efficiency | 23 lm/W |
| Colour rendering | CRI > 90 |
| Reflector | Without |
| Light sharing | Asymmetric |
| Adjustable color temperature | No |

| Operating technology of the luminaire | |
|---------------------------------------|--|
| System output | 1.5 W |
| Voltage type | AC |
| AC nominal voltage max | 230 V |
| Frequency max | 50 Hz |
| Lamp | LED |
| Lamp holder | Without fitting |
| Protection class | I |
| Degree of protection | IP20 |
| Dimmable | No |
| Control | on/off |
| Bulb change possible | The light source of this luminaire may only be replaced by the manufacturer or a service technician commissioned by him or a similarly qualified person. |
| Rated life time L70/B50 at 25 °C | 50,000 h |

| Mounting technology | |
|-----------------------|-------------------|
| Mounting method | Recessed mounting |
| Place of installation | Wall-mounted |
| Adjustability | Not adjustable |
| Material cover | Glass opal |

| Packing data | |
|-------------------------|---|
| Gross weight | 0.202 kg |
| Length of packaging | 90 mm |
| Packaging width | 55 mm |
| Packaging height | 109 mm |
| Disposal at end of life | This product must not be disposed of with household waste. You are obliged, to dispose of such electrical waste separately. By disposing of electrical waste and other old or defective electronics separately, you support recycling or other forms of re-use. In that way you help to take care and to avoid that harmful substances get into the environment. |