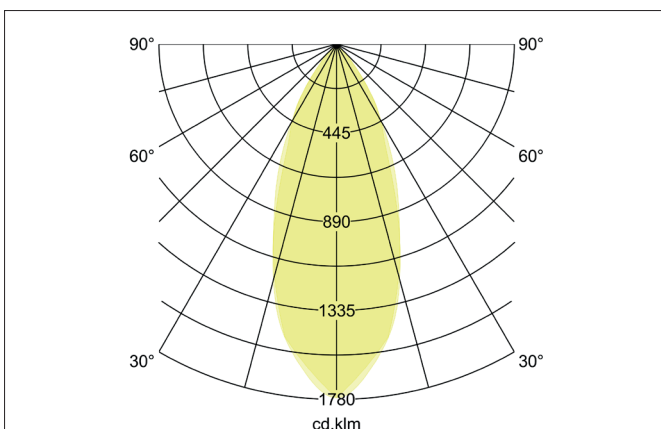
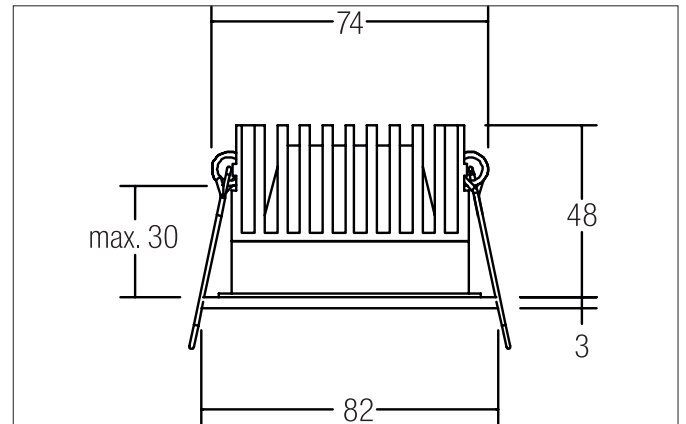


**CALLIDA LED recessed downlight, dim2warm**

Article no. 12116253

Light.  
For Generations.**Tender**

LED recessed downlight, dim2warm, Round. Toolless ceiling installation by installation springs. Ceiling cut-out Ø 74 mm, Installation depth 48 mm, Outer diameter 82 mm, Weight 0,224 kg, Reflector silver with rotationssymmetrical, deep, wide distributed light intensity. optimal light distribution due to a plastic, transparent cover. Luminous flux 830 lm, Power 1 x 12 W, Light colour warm white to StructureNodeImpl 4028e4bd62d2f56b0163735e47634db8, Correlated color temprature (CCT) 3.000 - 1.800 K, Colour rendering index CRI > 90, Rated life time L70/B50 at 25 °C: 50.000 h, Housing material: Aluminium / Polycarbonate, Colour: Alu, Permissible ambient temperature (ta): -20 °C - +25 °C, Protection class (EN 61140): III, Degree of protection (DIN EN 60529): IP20, .For connection to an external driver, which is not included in the scope of delivery of the luminaire. Depending on driver dimmable.

**Product Benefits**

- Recessed downlight in round design made of massive aluminum.
- Ceiling cutout 74 mm, outer diameter 82 mm, mounting depth 48 mm, luminous flux 930 lm, IP20.
- Recessed light emission for improved glare reduction.
- Dimmable when using a suitable converter.
- If the luminaire is dimmed, the colour temperature is reduced (dim2warm, 3000 K - 1800 K).
- Also available as a factory complete set with dimmable converter (trailing-edge phase dimmer).

**CALLIDA LED recessed downlight, dim2warm**

Article no. 12116253

Light.  
For Generations.

| Article data       |                                  |
|--------------------|----------------------------------|
| Article no.        | 12116253                         |
| GTIN               | 4250047797234                    |
| Series name        | CALLIDA                          |
| Short description  | LED recessed downlight, dim2warm |
| Material           | Aluminium / Polycarbonate        |
| Colour             | Alu                              |
| Type of surface    | Matt                             |
| Shape              | Round                            |
| Outer diameter     | 82 mm                            |
| Built-in diameter  | 74 mm                            |
| Installation depth | 48 mm                            |
| Hight              | 3 mm                             |
| Weight             | 0.224 kg                         |
| stamp              | UKCA                             |

| Lighting technology          |                   |
|------------------------------|-------------------|
| Colour temperature           | 3.000 K - 1.800 K |
| Light colour                 | White             |
| Light output                 | Direct            |
| Luminous flux                | 830 lm            |
| System efficiency            | 69 lm/W           |
| Colour rendering             | CRI > 90          |
| Reflector                    | High-gloss        |
| Reflector colour             | silver            |
| Beam angle                   | 18°               |
| Light sharing                | Symmetric         |
| Adjustable color temperature | Infinite control  |

| Operating technology of the luminaire |  |
|---------------------------------------|--|
| Voltage type                          | DC   |
| Current                               | 350 mA   |
| Lamp                                  | LED  |
| Lamp holder                           | Plug&Play  |
| Protection class                      | III  |
| Degree of protection                  | IP20   |
| Dimmable                              | Depending on type of control gear  |
| Control                               | Depending on driver  |
| Bulb change possible                  | The light source of this luminaire may only be replaced by the manufacturer or a service technician commissioned by him or a similarly qualified person. |
| Rated life time L70/B50 at 25 °C      | 50,000 h   |

| Mounting technology         |   |
|-----------------------------|---|
| Mounting method             | Recessed mounting                         |
| Place of installation       | Ceiling-mounted                           |
| Adjustability               | Not adjustable                            |
| Max. ceiling thickness      | 30 mm                                     |
| Further references          | No cover with thermal insulation material |
| Material cover              | Plastic, transparent                      |
| Suitable for through-wiring | Yes, with optional accessories            |

**CALLIDA LED recessed downlight, dim2warm**  
Article no. 12116253Light.  
For Generations.

| Packing data            |  |
|-------------------------|--|
| Gross weight            | 0.265 kg   |
| Length of packaging     | 96 mm  |
| Packaging width         | 96 mm  |
| Packaging height        | 70 mm  |
| Disposal at end of life | <p>This product must not be disposed of with household waste. You are obliged, to dispose of such electrical waste separately.</p> <p>By disposing of electrical waste and other old or defective electronics separately, you support recycling or other forms of re-use. In that way you help to take care and to avoid that harmful substances get into the environment.</p> |

**CALLIDA LED recessed downlight, dim2warm**

Article no. 12116253

Light.  
For Generations.

| Accessories   |   |
|---|---|
|    | Article no.: 17664000<br>LED converter 350 mA, trailing-edge phase dimmable<br>Power: 10,2 - 14 W<br>Dimensions: 125 mm x 51 mm x 20 mm |
|    | Article no.: 17664010<br>LED converter 350 mA, trailing-edge phase dimmable<br>Power: 10,2 - 14 W<br>Dimensions: 125 mm x 51 mm x 20 mm |
|    | Article no.: 17664020<br>LED converter 350 mA, trailing-edge phase dimmable<br>Power: 10,2 - 14 W<br>Dimensions: 125 mm x 51 mm x 20 mm |
|    | Article no.: 17643000<br>LED converter 350 mA, trailing-edge phase dimmable<br>Power: 8,8 - 18 W<br>Dimensions: 110 mm x 52 mm x 22 mm  |
|   | Article no.: 17643010<br>LED converter 350 mA, trailing-edge phase dimmable<br>Power: 8,8 - 18 W<br>Dimensions: 110 mm x 52 mm x 22 mm  |
|  | Article no.: 17643020<br>LED converter 350 mA, trailing-edge phase dimmable<br>Power: 8,8 - 18 W<br>Dimensions: 110 mm x 52 mm x 22 mm  |
|  | Article no.: 17657000<br>LED converter 350 mA, 1-10 V dimmable (analog)<br>Power: 5,2 - 18 W<br>Dimensions: 110 mm x 52 mm x 22 mm      |
|  | Article no.: 17657010<br>LED converter 350 mA, 1-10 V dimmable (analog)<br>Power: 5,2 - 18 W<br>Dimensions: 110 mm x 52 mm x 22 mm      |
|  | Article no.: 17683000<br>LED converter 350 mA, DALI dimmable (digital)<br>Power: 3,5 - 17 W<br>Dimensions: 110 mm x 52 mm x 22 mm       |
|  | Article no.: 17683010<br>LED converter 350 mA, DALI dimmable (digital)<br>Power: 3,5 - 17 W<br>Dimensions: 110 mm x 52 mm x 22 mm       |

**CALLIDA LED recessed downlight, dim2warm**

Article no. 12116253

Light.  
For Generations.

| Accessories  |   |
|--|---|
| A small white rectangular LED converter with two black wires and a black connector.                      | <p>Article no.: 17683020<br/>LED converter 350 mA, DALI dimmable (digital)<br/>Power: 3,5 - 17 W<br/>Dimensions: 110 mm x 52 mm x 22 mm</p> |
| A white rectangular LED converter with two black wires and a black connector.                            | <p>Article no.: 17671000<br/>LED converter 350mA, ZigBee dimmable<br/>Power: 3,5 - 18,5 W<br/>Dimensions: 146 mm x 44 mm x 30 mm</p>        |
| A white rectangular LED converter with two black wires and a black connector.                            | <p>Article no.: 17671010<br/>LED converter 350mA, ZigBee dimmable<br/>Power: 3,5 - 18,5 W<br/>Dimensions: 146 mm x 44 mm x 30 mm</p>        |
| A white rectangular LED converter with two black wires and a black connector, and a black plastic cover. | <p>Article no.: 17671020<br/>LED converter 350mA, ZigBee dimmable<br/>Power: 3,5 - 18,5 W<br/>Dimensions: 146 mm x 44 mm x 30 mm</p>        |
| A white rectangular LED converter with two black wires and a black connector.                            | <p>Article no.: 17672000<br/>LED converter 350mA, Casambi dimmable<br/>Power: 3,5 - 18 W<br/>Dimensions: 146 mm x 44 mm x 30 mm</p>         |
| A white rectangular LED converter with two black wires and a black connector.                            | <p>Article no.: 17672010<br/>LED converter 350mA, Casambi dimmable<br/>Power: 3,5 - 18 W<br/>Dimensions: 146 mm x 44 mm x 30 mm</p>         |
| A white rectangular LED converter with two black wires and a black connector, and a black plastic cover. | <p>Article no.: 17672020<br/>LED converter 350mA, Casambi dimmable<br/>Power: 3,5 - 18 W<br/>Dimensions: 146 mm x 44 mm x 30 mm</p>         |
| A black cable with a connector on one end and a plug on the other.                                       | <p>Article no.: 3835<br/>Plug &amp; Play extension lead 350 mA<br/><br/>Dimensions: 500 mm</p>  |
| A black cable with a connector on one end and a plug on the other.                                       | <p>Article no.: 3836<br/>Plug &amp; Play extension lead 350 mA<br/><br/>Dimensions: 1,000 mm</p>  |
| A black cable with a connector on one end and a plug on the other.                                       | <p>Article no.: 3837<br/>Plug &amp; Play extension lead 350 mA<br/><br/>Dimensions: 2,000 mm</p>  |