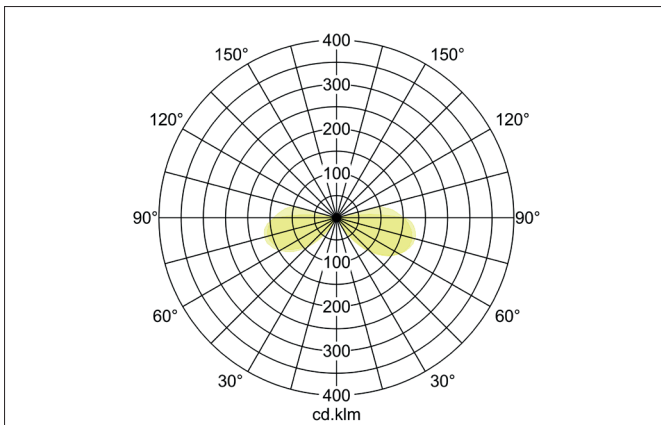
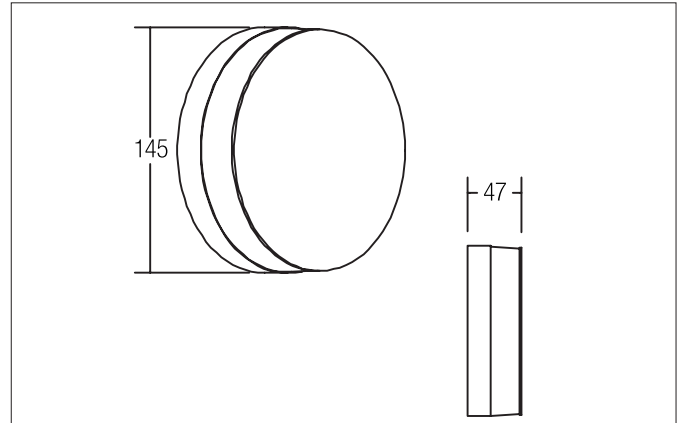


DRONA LED wall surface mounted luminaire, IP54

Article no. 10030183

Light.
For Generations.**Tender**

LED wall surface mounted luminaire, IP54, Round. Luminaire diameter 145.0 mm, Height 47.0 mm Weight 0.533 kg, with rotationssymmetrical, deep, wide distributed light intensity. optimal light distribution due to a plastic, opal cover. Luminous flux 620 lm, Power 1 x 9 W, Light colour warm white, Correlated color temperature (CCT) 3.000 K, Colour rendering index CRI > 80, Housing material: Aluminium / Plastic, Colour: Black, Permissible ambient temperature (ta): -20 °C - +25 °C, Protection class (EN 61140): I, Degree of protection (DIN EN 60529): IP54, .With electronic driver, on/off switchable.

Article data	
Article no.	10030183
GTIN	4250047795728
Series name	DRONA
Short description	LED wall surface mounted luminaire, IP54
Material	Aluminium / Plastic
Colour	Black
Type of surface	Matt
Shape	Round
Outer diameter	145 mm
Height	47 mm
Scope of delivery	Incl. converter for connection to the 230-V mains voltage
Weight	0.533 kg

DRONA LED wall surface mounted luminaire, IP54

Article no. 10030183

Light.
For Generations.

Lighting technology	
Colour temperature	3.000 K
Light colour	White
Light output	Direct/Indirect
Luminous flux	620 lm
System efficiency	69 lm/W
Colour rendering	CRI > 80
Reflector	Without
Beam angle	100°
Light sharing	Symmetric
Adjustable color temperature	No

Operating technology of the luminaire	
System output	9 W
Voltage type	AC
AC nominal voltage max	220 V
Frequency max	50 Hz
Lamp	LED
Lamp holder	Without fitting
Protection class	I
Degree of protection	IP54
Control	on/off
Bulb change possible	The light source of this luminaire may only be replaced by the manufacturer or a service technician commissioned by him or a similarly qualified person.

Mounting technology	
Mounting method	Surface mounting
Place of installation	Wall-mounted
Adjustability	Not adjustable
stamp	UKCA
Material cover	Plastic, opal
Suitable for through-wiring	No

Packing data	
Gross weight	0.6 kg
Length of packaging	150 mm
Packaging width	65 mm
Packaging height	150 mm
Disposal at end of life	This product must not be disposed of with household waste. You are obliged, to dispose of such electrical waste separately. By disposing of electrical waste and other old or defective electronics separately, you support recycling or other forms of re-use. In that way you help to take care and to avoid that harmful substances get into the environment.