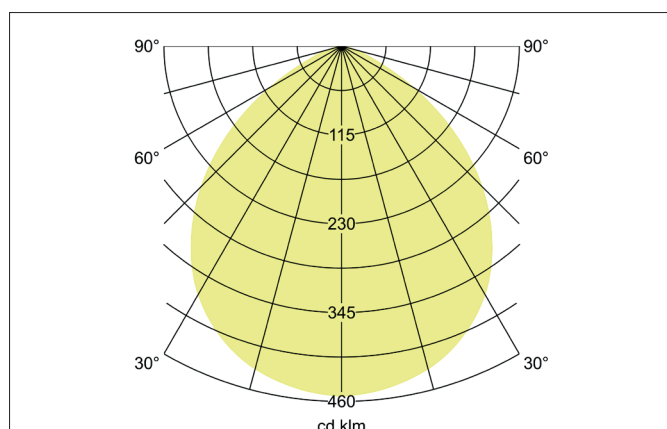
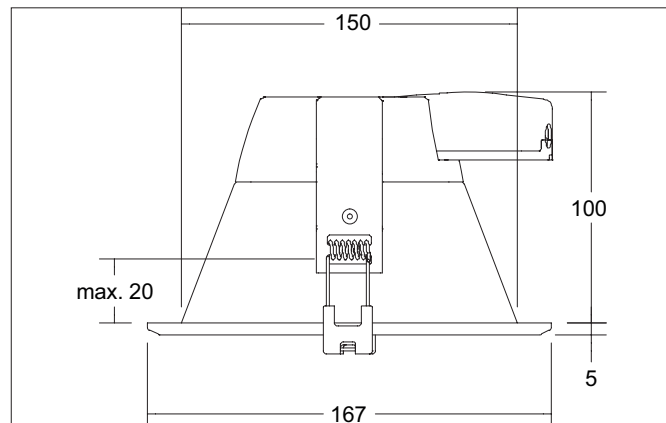


KIZZIE MINI LED recessed downlight, IP44, on/off switchable

Article no. 12540074

Light.
For Generations.**Tender**

LED recessed downlight, IP44, on/off switchable, Round. Toolless ceiling installation by installation springs. Ceiling cut-out Ø 150 mm, Installation depth 100 mm, Outer diameter 167 mm, Weight 0,250 kg. Reflector white with rotationssymmetrical, deep, wide distributed light intensity. optimal light distribution due to a polycarbonat opal cover. Luminous flux 1.200 lm, UGR < 22, Power 1 x 12 W, Light colour neutral white, Correlated color temprature (CCT) 4.000 K, Colour rendering index CRI > 80, Rated life time L70/B50 at 25 °C: 50.000 h, Housing material: Aluminium / Polycarbonate / Steel, Colour: White, Permissible ambient temperature (ta): -20 °C - +25 °C, Protection class (EN 61140): I, Degree of protection (DIN EN 60529): IP44, .With electronic driver, on/off switchable with integrated strain relief.

Product Benefits

- Round recessed downlight made of aluminum with plastic cover.
- Easy and tool-free installation by using a plug-in clamp, which is also prepared for through-wiring.
- CRI > 80, UGR < 22.
- Low installation depth of 100 mm - diameter of 167 mm, ceiling cut-out 150 mm.
- Room-side protection class IP44.
- Can be used up to a ceiling thickness of max. 20 mm.

KIZZIE MINI LED recessed downlight, IP44, on/off switchable

Article no. 12540074

Light.
For Generations.

Article data	
Article no.	12540074
GTIN	4251433937593
Series name	KIZZIE MINI
Short description	LED recessed downlight, IP44, on/off switchable
Material	Aluminium / Polycarbonate / Steel
Colour	White
Type of surface	Matt
Shape	Round
Outer diameter	167 mm
Built-in diameter	150 mm
Installation depth	100 mm
Hight	5 mm
Scope of delivery	Incl. converter for connection to the 230-V mains voltage, on/off switchable
Weight	0.250 kg
stamp	UKCA

Lighting technology	
Colour temperature	4.000 K
Light colour	White
Light output	Direct
Luminous flux	1,200 lm
System efficiency	100 lm/W
Colour rendering	CRI > 80
Reflector	Matt
Reflector colour	white
Beam angle	100°
Glare evaluation	UGR < 22
Light sharing	Symmetric
Adjustable color temperature	No

Operating technology of the luminaire	
System output	12 W
Voltage type	AC
AC nominal voltage max	230 V
Frequency max	50 Hz
Lamp	LED not changeable
Protection class	I
Degree of protection	IP44
Protection class on the ceiling side	IP20
Dimmable	
Control	on/off
Bulb change possible	The light source of this luminaire may only be replaced by the manufacturer or a service technician commissioned by him or a similarly qualified person.
Rated life time L70/B50 at 25 °C	50,000 h

Mounting technology	
Mounting method	Recessed mounting
Place of installation	Ceiling-mounted
Adjustability	Not adjustable
Max. ceiling thickness	20 mm
Further references	No cover with thermal insulation material
Material cover	Polycarbonat opal
Suitable for through-wiring	Yes

KIZZIE MINI LED recessed downlight, IP44, on/off switchable
Article no. 12540074Light.
For Generations.

Packing data	
Gross weight	0.379 kg
Length of packaging	195 mm
Packaging width	195 mm
Packaging height	118 mm
Disposal at end of life	<p>This product must not be disposed of with household waste. You are obliged, to dispose of such electrical waste separately.</p> <p>By disposing of electrical waste and other old or defective electronics separately, you support recycling or other forms of re-use. In that way you help to take care and to avoid that harmful substances get into the environment.</p>