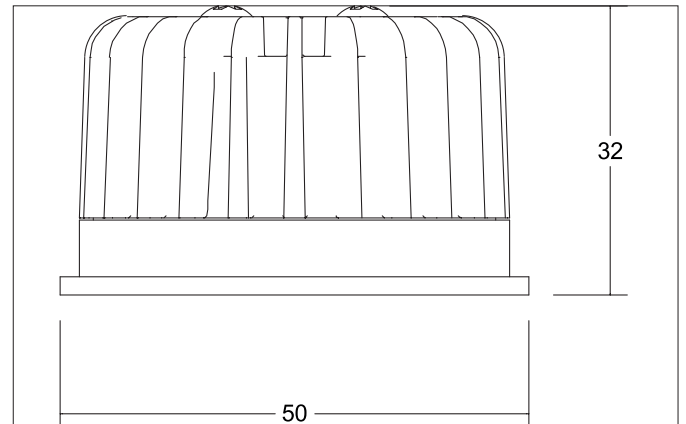


LED reflector insert MR16, 6 W, 350 mA

Article no. 12923384

Light.
For Generations.**Tender**

LED reflector insert MR16, 6 W, 350 mA, , Round.Lamp holder: Plug&Play, Material: Aluminium / Glass, Degree of protection: according to DIN EN 60529 IP20, Protection class: (EN 61140) III, Current: 350 mA, Power: 6 W, Luminous flux : 720 lm, Colour temperature: 4.000 K, Beam angle: 38°, without control gear, Control: Depending on driver.

| Article data | |
|-------------------|----------------------------------------|
| Article no. | 12923384 |
| GTIN | 4251433933052 |
| Short description | LED reflector insert MR16, 6 W, 350 mA |
| Material | Aluminium / Glass |
| Shape | Round |
| Outer diameter | 50 mm |
| Hight | 32 mm |
| Weight | 0.078 kg |
| stamp | UKCA |
| Conformance | CE, UKCA |

| Lighting technology | |
|---------------------|------------|
| Colour temperature | 4.000 K |
| Light colour | White |
| Luminous flux | 720 lm |
| Colour rendering | CRI > 80 |
| Reflector | High-gloss |
| Beam angle | 38° |
| Light sharing | Symmetric |

LED reflector insert MR16, 6 W, 350 mA

Article no. 12923384

Light.
For Generations.

| Operating technology of the luminaire | |
|---------------------------------------|----------------------------------------------------------------------------------------------------------------------------------------------------------|
| Voltage type | DC |
| Current | 350 mA |
| Lamp | LED |
| Lamp holder | Plug&Play |
| Protection class | III |
| Degree of protection | IP20 |
| Control | Depending on driver |
| Bulb change possible | The light source of this luminaire may only be replaced by the manufacturer or a service technician commissioned by him or a similarly qualified person. |
| Rated life time L80/B20 at 25 °C | 50.000 h |

| Packing data | |
|-------------------------|---------------------------------------------------------------------------------------------------------------------------------------------------------------------------------------------------------------------------------------------------------------------------------------------------------------------------------------------------------------------|
| Gross weight | 0.089 kg |
| Length of packaging | 55 mm |
| Packaging width | 55 mm |
| Packaging height | 65 mm |
| Disposal at end of life | This product must not be disposed of with household waste. You are obliged, to dispose of such electrical waste separately. By disposing of electrical waste and other old or defective electronics separately, you support recycling or other forms of re-use. In that way you help to take care and to avoid that harmful substances get into the environment. |

LED reflector insert MR16, 6 W, 350 mA

Article no. 12923384

Light.
For Generations.

| Required accessories | |
|-------------------------------------------------------------------------------------|----------------------------------------------------------------------------------------------------------------------------------------|
|  | Article no.: 17662020 LED converter 350 mA, on/off switchable Power: 1 - 7,2 W Dimensions: 68 mm x 35 mm x 21 mm |
|  | Article no.: 17613000 LED converter 350 mA, on/off switchable Power: 1 - 15 W Dimensions: 115 mm x 34 mm x 19 mm |
|  | Article no.: 17621020 LED converter 350 mA, on/off switchable Power: 1 - 21 W Dimensions: 128 mm x 50 mm x 13 mm |
|  | Article no.: 17663020 LED converter 350 mA, trailing-edge phase dimmable Power: 2,8 - 7 W Dimensions: 110 mm x 50 mm x 19 mm |
|  | Article no.: 17652020 LED-round converter 350 mA, trailing-edge phase dimmer Power: 4,9 - 7 W Dimensions: 51 mm x 24 mm |
|  | Article no.: 17640020 LED converter 350 mA, trailing-edge phase dimmable Power: 4,2 - 10 W Dimensions: 102 mm x 38 mm x 21 mm |
|  | Article no.: 17657000 LED converter 350 mA, 1-10 V dimmable (analog) Power: 5,2 - 18 W Dimensions: 110 mm x 52 mm x 22 mm |
|  | Article no.: 17683020 LED converter 350 mA, DALI dimmable (digital) Power: 3,5 - 17 W Dimensions: 110 mm x 52 mm x 22 mm |
|  | Article no.: 17648020 LED converter 350 mA, trailing-edge phase dimmable Power: 0,7 - 17 W Dimensions: 166 mm x 46 mm x 34 mm |
|  | Article no.: 17671020 LED converter 350mA, ZigBee dimmable Power: 3,5 - 18,5 W Dimensions: 146 mm x 44 mm x 30 mm |