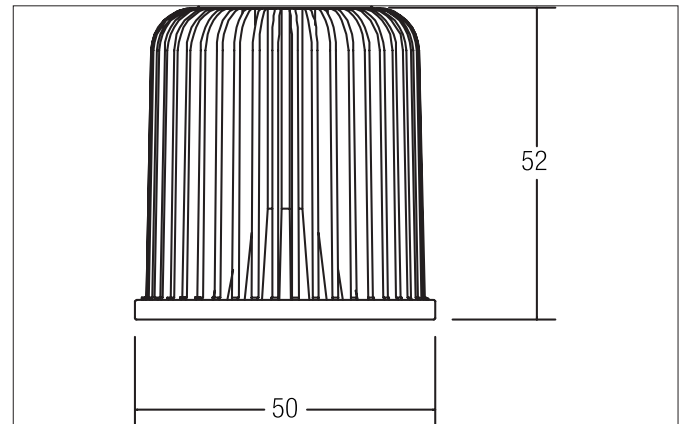


LED reflector insert MR16, 8 W, 24 V DC
Article no. 12823003

Light.
For Generations.



Tender

LED reflector insert MR16, 8 W, 24 V DC, Round. Ceiling cut-out Installation depth mm, Outer diameter 50 mm, Weight 0,072 kg, with rotationssymmetrical, deep, wide distributed light intensity.with max: 8 W , Delivery without bulb.Housing material: Aluminium / Glass, Permissible ambient temperature (ta): -20 °C - +25 °C, Protection class (EN 61140): III, Degree of protection (DIN EN 60529): IP20, .For connection to an external driver, which is not included in the scope of delivery of the luminaire. Depending on driver dimmable.

Article data	
Article no.	12823003
GTIN	4251433921660
Short description	LED reflector insert MR16, 8 W, 24 V DC
Material	Aluminium / Glass
Shape	Round
Outer diameter	50 mm
Length	0 mm
Hight	50 mm
Weight	0.072 kg



LED reflector insert MR16, 8 W, 24 V DC

Article no. 12823003

Light.
For Generations.

Lighting technology	
Colour temperature	2.850 K
Light colour	White
Luminous flux	900 lm
System efficiency	112 lm/W
Colour rendering	CRI > 90
Reflector	High-gloss
Beam angle	60°
Light sharing	Symmetric

Packing data	
Gross weight	0.084 kg
Length of packaging	54 mm
Packaging width	54 mm
Packaging height	68 mm
Disposal at end of life	This product must not be disposed of with household waste. You are obliged, to dispose of such electrical waste separately. By disposing of electrical waste and other old or defective electronics separately, you support recycling or other forms of re-use. In that way you help to take care and to avoid that harmful substances get into the environment.

Accessories	
	Article no.: 17206000 LED power supply 24 V DC, 1-10 V dimmable (analog) Power: 1 - 20 W Dimensions: 145 mm x 55 mm x 19 mm
	Article no.: 17207000 LED power supply 24 V DC, on/off switchable Power: 1 - 30 W Dimensions: 160 mm x 50 mm x 22 mm