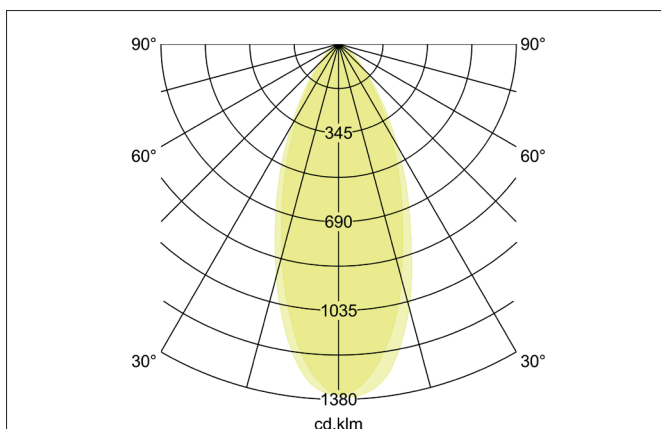
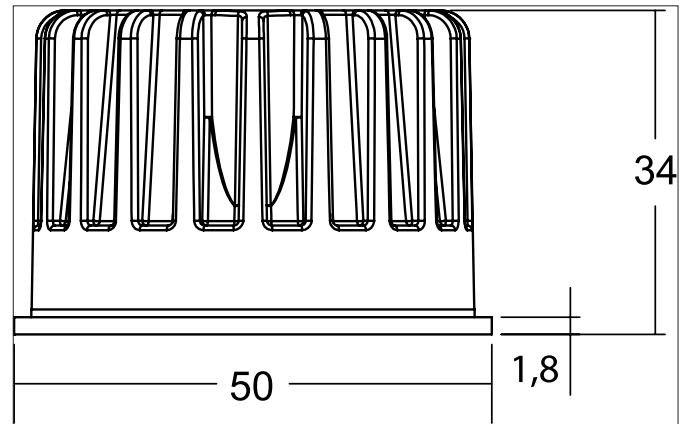


ROTI Set bestehend aus LED-Einsatz 3CCT und Rundkonverter, Phasenabschnitt dimmbar, mit Anschlussbox

Article no. 12987503AB

Light.
For Generations.**Tender**

Set bestehend aus LED-Einsatz 3CCT und Rundkonverter, Phasenabschnitt dimmbar, mit Anschlussbox, black / alu matt. Lamp holder: Plug&Play, Material: Aluminium / PMMA / Plastic, Degree of protection: according to DIN EN 60529 IP20, Protection class: (EN 61140) II, Power: 7.5 W, Amount of light sources / fittings: 1 Qty, Colour temperature: from 2.700 K up to 4.000 K, Beam angle: 50°, With control gear: Yes, Dimmable: Yes, Control: Trailing-edge phase.

Farbtemperatur	Lichtstrom	Systemeffizienz
2.700 K	924 lm	126 lm/W
3.000 K	951 lm	126 lm/W
4.000 K	1.005 lm	134 lm/W

Article data	
Article no.	12987503AB
GTIN	4255752509813
Series name	ROTI
Short description	Set bestehend aus LED-Einsatz 3CCT und Rundkonverter, Phasenabschnitt dimmbar, mit Anschlussbox
Material	Aluminium / PMMA / Plastic
Colour	Black / Alu
Outer diameter	50 mm
Weight	0.180 kg

ROTI Set bestehend aus LED-Einsatz 3CCT und Rundkonverter, Phasenabschnitt dimmbar, mit Anschlussbox

Article no. 12987503AB

Light.
For Generations.

Lighting technology	
Colour temperature	2.700 K / 3.000 K / 4.000 K
Light colour	White
Color Temperature 1	2,700 K
Color Temperature 2	3,000 K
Color Temperature 3	4,000 K
Luminous flux 1	924 lm
Luminous flux 2	951 lm
Luminous flux 3	1,005 lm
McAdam-Step	McAdam-Step 3
Colour rendering	CRI > 80
Reflector	High-gloss
Beam angle	50°
Light sharing	Symmetric
Adjustable color temperature	Stages

Operating technology of the luminaire	
Article No. of used light source	12929503
Hight	34 mm
Diameter	50 mm
Lamp holder	Plug&Play
Power	6.3 W
Voltage type	DC
Current	350 mA
Lamp	LED
Protection class	III
Degree of protection	IP20
Bulb change possible	The light source of this luminaire may only be replaced by the manufacturer or a service technician commissioned by him or a similarly qualified person.

Operating technology of driver	
Article No. of used driver	17652020
Hight	24 mm
AC nominal voltage min	200 V
AC nominal voltage max	264 V
Frequency max	60 Hz
Dimmable	Yes
Control	Trailing-edge phase
Starting current	3 A (100 µs)
Power min	4.9 W
Power	7 W
Output current	350 mA
Degree of protection	IP20
Protection class	II
Flicker-free	Yes

Packing data	
Gross weight	0.23 kg
Length of packaging	100 mm
Packaging width	100 mm
Packaging hight	100 mm
Disposal at end of life	This product must not be disposed of with household waste. You are obliged, to dispose of such electrical waste separately. By disposing of electrical waste and other old or defective electronics separately, you support recycling or other forms of re-use. In that way you help to take care and to avoid that harmful substances get into the environment.