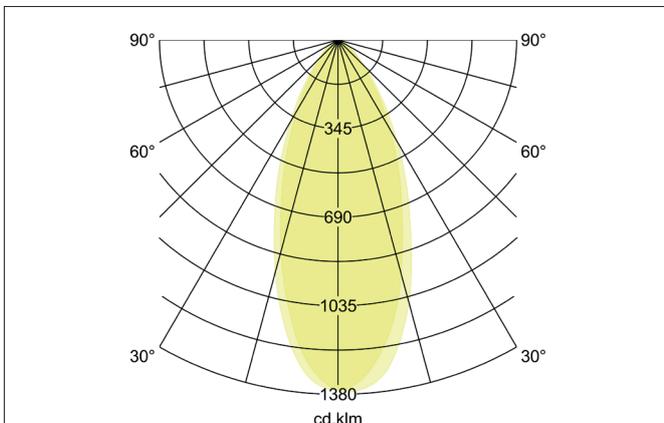
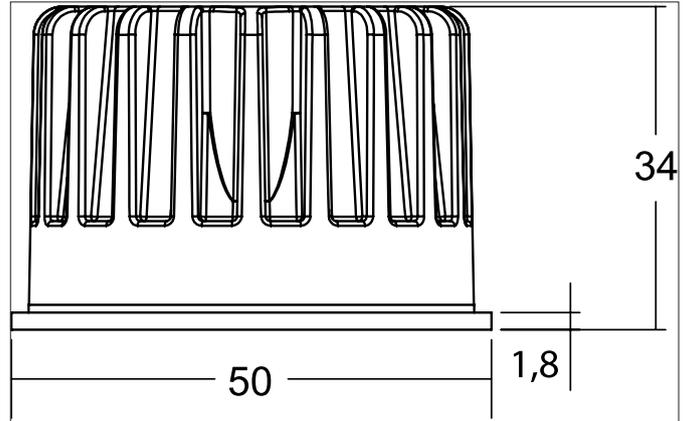


ROTI Set bestehend aus LED-Einsatz 3CCT und Konverter, schaltbar, mit Anschlussbox

Article no. 12981503AB

Light.
For Generations.

Tender

Set bestehend aus LED-Einsatz 3CCT und Konverter, schaltbar, mit Anschlussbox, black / alu matt. Lamp holder: Plug&Play, Material: Aluminium / PMMA / Plastic, Degree of protection: according to DIN EN 60529 IP20, Protection class: (EN 61140) II, Power: 7.9 W, Amount of light sources / fittings: 1 Qty, Colour temperature: from 2.700 K up to 4.000 K, Beam angle: 50°, With control gear: Yes, Dimmable: No, Control: on/off.

Farbtemperatur	Lichtstrom	Systemeffizienz
2.700 K	945 lm	121 lm/W
3.000 K	972 lm	123 lm/W
4.000 K	1.031 lm	130 lm/W

Article data	
Article no.	12981503AB
GTIN	4255752509790
Series name	ROTI
Short description	Set bestehend aus LED-Einsatz 3CCT und Konverter, schaltbar, mit Anschlussbox
Material	Aluminium / PMMA / Plastic
Colour	Black / Alu
Outer diameter	50 mm
Weight	0.180 kg

**ROTI Set bestehend aus LED-Einsatz 3CCT und Konverter, schaltbar,
mit Anschlussbox**

Article no. 12981503AB

Light.
For Generations.

Lighting technology	
Colour temperature	2.700 K / 3.000 K / 4.000 K
Light colour	White
Color Temperature 1	2,700 K
Color Temperature 2	3,000 K
Color Temperature 3	4,000 K
Luminous flux 1	945 lm
Luminous flux 2	972 lm
Luminous flux 3	1,031 lm
McAdam-Step	McAdam-Step 3
Colour rendering	CRI > 80
Reflector	High-gloss
Beam angle	50°
Light sharing	Symmetric
Adjustable color temperature	Stages

Operating technology of the luminaire	
Article No. of used light source	12929503
Hight	34 mm
Diameter	50 mm
Lamp holder	Plug&Play
Power	6.3 W
Voltage type	DC
Current	350 mA
Lamp	LED
Protection class	III
Degree of protection	IP20
Bulb change possible	The light source of this luminaire may only be replaced by the manufacturer or a service technician commissioned by him or a similarly qualified person.

Operating technology of driver	
Article No. of used driver	17662020
Length	68 mm
Width	35 mm
Hight	21 mm
AC nominal voltage min	90 V
AC nominal voltage max	264 V
Frequency max	60 Hz
Dimmable	No
Control	on/off
Starting current	10 A (max. 10ms)
Power min	1 W
Power	7.2 W
Output current	350 mA
Degree of protection	IP20
Protection class	II
Flicker-free	Yes

Packing data	
Gross weight	0.23 kg
Length of packaging	100 mm
Packaging width	100 mm
Packaging hight	100 mm
Disposal at end of life	This product must not be disposed of with household waste. You are obliged, to dispose of such electrical waste separately. By disposing of electrical waste and other old or defective electronics separately, you support recycling or other forms of re-use. In that way you help to take care and to avoid that harmful substances get into the environment.

**ROTI Set bestehend aus LED-Einsatz 3CCT und Konverter, schaltbar,
mit Anschlussbox**

Article no. 12981503AB

Light.
For Generations.