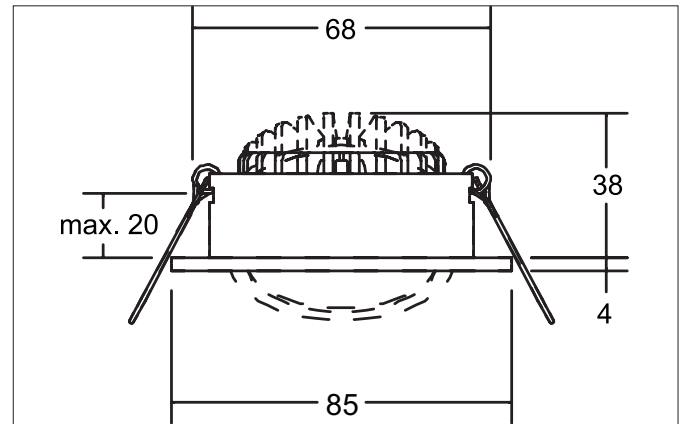


OLENI LED Recessed spotlight, integrated converter trailing edge dimmable, with connection box

Article no. 12646183

Light.
For Generations.**Tender**

LED Recessed spotlight, integrated converter trailing edge dimmable, with connection box, Round. Toolless ceiling installation by installation springs. Ceiling cut-out Ø 68 mm, Installation depth 38 mm, Outer diameter 85 mm, Weight 0,156 kg. Reflector silver with rotationssymmetrical, deep, wide distributed light intensity, optimal light distribution due to a polycarbonat clear cover. Luminous flux 600 lm, Power 1 x 6 W, Light colour warm white, Correlated color temprature (CCT) 3.000 K, Colour rendering index CRI > 80, Rated life time L70/B50 at 25 °C: 50.000 h, Housing material: Aluminium / Polycarbonate, Colour: Black structure, Permissible ambient temperature (ta): -20 °C - +25 °C, Protection class (EN 61140): II, Degree of protection (DIN EN 60529): IP20, .With electronic driver, Trailing-edge phase dimmable.

Product Benefits

- Runder Einbaustrahler aus massivem Aluminium mit Polycarbonatabdeckung.
- Einfache und werkzeuglose Montage.
- CRI > 80.
- Geringe Einbautiefe 38 mm, Durchmesser 85 mm, Deckenausschnitt 68 mm.
- Deckenstärke maximal 20 mm.
- Drei Oberflächenausführungen lieferbar.
- Mit integriertem Konverter (DOB) zum Anschluss an 230 V-Netzspannung.
- Auslieferung mit Anschlussbox zur schnellen Verbindung.
- Phasenabschnitt dimmbar.
- Auch in Ausführung dim2warm lieferbar.

OLENI LED Recessed spotlight, integrated converter trailing edge dimmable, with connection box

Article no. 12646183

Light.
For Generations.

Article data	
Article no.	12646183
GTIN	4255752501077
Series name	OLENI
Short description	LED Recessed spotlight, integrated converter trailing edge dimmable, with connection box
Material	Aluminium / Polycarbonate
Colour	Black
Type of surface	Structure
Shape	Round
Outer diameter	85 mm
Built-in diameter	68 mm
Installation depth	38 mm
Hight	4 mm
Scope of delivery	inkl. Anschlussbox zur Durchgangsverdrahtung, 3-polig
Weight	0.156 kg
Conformance	CE, UKCA

Lighting technology	
Colour temperature	3.000 K
Light colour	White
Light output	Direct
Luminous flux	600 lm
System efficiency	100 lm/W
Colour rendering	CRI > 80
Reflector	High-gloss
Reflector colour	silver
Beam angle	38°
Light sharing	Symmetric
Adjustable color temperature	No

Operating technology of the luminaire	
Voltage type	AC
AC nominal voltage min	230 V
AC nominal voltage max	230 V
Frequency max	50 Hz
Frequency min	50 Hz
Lamp	LED
Protection class	II
Degree of protection	IP20
Dimmable	Yes
Control	Trailing-edge phase
Bulb change possible	The light source of this luminaire may only be replaced by the manufacturer or a service technician commissioned by him or a similarly qualified person.
Rated life time L70/B50 at 25 °C	50,000 h

Mounting technology	
Mounting method	Recessed mounting
Place of installation	Ceiling-mounted
Adjustability	Pivoted
Swivel angle	20°
Max. ceiling thickness	20 mm
Further references	No cover with thermal insulation material
Material cover	Polycarbonat clear
Suitable for through-wiring	Yes

**OLENI LED Recessed spotlight, integrated converter trailing edge
dimmbale, with connection box**

Article no. 12646183

Light.
For Generations.

Packing data	
Gross weight	0.206 kg
Length of packaging	95 mm
Packaging width	90 mm
Packaging height	75 mm
Disposal at end of life	<p>This product must not be disposed of with household waste. You are obliged, to dispose of such electrical waste separately.</p> <p>By disposing of electrical waste and other old or defective electronics separately, you support recycling or other forms of re-use. In that way you help to take care and to avoid that harmful substances get into the environment.</p>

Accessories	
-------------	--