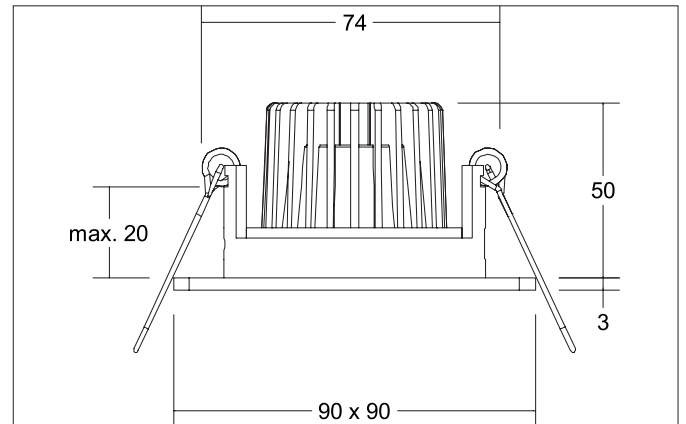


**KALINDA-S LED recessed spot set, on/off switchable**

Article no. 38455153

Light.  
For Generations.**Tender**

LED recessed spot set, on/off switchable, Square. Toolless ceiling installation by installation springs. Ceiling cut-out  $\varnothing$  74 mm, Installation depth 50 mm, Weight 0,201 kg, Reflector silver with rotationssymmetrical, deep, wide distributed light intensity. optimal light distribution due to a glass transparent cover. Luminous flux 680 lm, Power 1 x 6 W, Light colour warm white, Correlated color temperature (CCT) 3.000 K, Colour rendering index CRI > 80, Housing material: Aluminium, Colour: Nickel, Permissible ambient temperature (ta): -20 °C - +25 °C, Protection class (EN 61140): III, Degree of protection (DIN EN 60529): IP20, .With electronic driver, on/off switchable.

**Product Benefits**

- Recessed LED spotlight in square design made of solid aluminum with LED module 6 W (3,000 K) and switchable converter.
- Ceiling cut-out 74 mm, diameter 90 mm, installation depth 50 mm, IP20.
- Swivel range 40°.
- Without visible snap ring.
- Classic, formally restrained design.
- Also available in the same look in GX5.3 or GU10 versions and as a dimmable set (phase cut-off) set (trailing edge).

**KALINDA-S LED recessed spot set, on/off switchable**

Article no. 38455153

Light.  
For Generations.

Article data	
Article no.	38455153
GTIN	4251433949732
Series name	KALINDA-S
Short description	LED recessed spot set, on/off switchable
Material	Aluminium
Colour	Nickel
Type of surface	Matt
Shape	Square
Built-in diameter	74 mm
Installation depth	50 mm
Hight	3 mm
Weight	0.201 kg

Lighting technology	
Colour temperature	3.000 K
Light output	Direct
Luminous flux	680 lm
System efficiency	113 lm/W
Colour rendering	CRI > 80
Reflector	High-gloss
Reflektorfarbe	silver
Beam angle	38°
Light sharing	Symmetric
Adjustable color temperature	No

Operating technology of the luminaire	
Lamp holder	Plug&Play
Power	6 W
Voltage type	DC
Current	350 mA
Lamp	LED
Protection class	III
Degree of protection	IP20
Bulb change possible	The light source of this luminaire may only be replaced by the manufacturer or a service technician commissioned by him or a similarly qualified person.

Mounting technology	
Mounting method	Recessed mounting
Place of installation	Ceiling-mounted
Adjustability	Pivoted
Swivel angle	40°
Max. ceiling thickness	20 mm
Further references	No cover with thermal insulation material
Material cover	Glass transparent
Circlip	Without circlip
Suitable for through-wiring	Yes, with optional accessories

Packing data	
Gross weight	0.29 kg
Length of packaging	140 mm
Packaging width	110 mm
Packaging hight	120 mm
Disposal at end of life	This product must not be disposed of with household waste. You are obliged, to dispose of such electrical waste separately. By disposing of electrical waste and other old or defective electronics separately, you support recycling or other forms of re-use. In that way you help to take care and to avoid that harmful substances get into the environment.

**KALINDA-S LED recessed spot set, on/off switchable**  
Article no. 38455 153

Light.  
For Generations.