

panel mounting socket outlet, angled - flange 68x62,
fixing centers 47x47

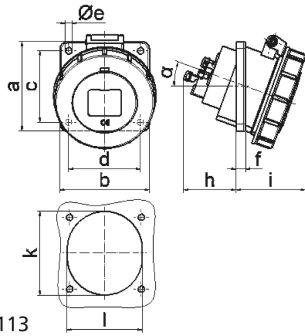


Product description	
BALS-Prd.-Nr	12809
EAN	4024941128094
Product category	Panel mounting socket outlet Quick-Connect, angled
Current	16A
Number of poles	3p
Arrangement of phases	2P+PE
Position of earth contact	6 h
Voltage	200 - 250V~

Product description	
Frequency	50/60Hz
Protection degree	IP67
Colour code	blue RAL 5015
Colour of appliance	Hinged lid blue RAL 5015, Bayonet ring grey RAL 7035, Enclosure grey RAL 7035
Connection design	screwless spring terminals with Kontex-Kontakt
Maximum conductor size	4,0 qmm
Cable entry	other
Height	82mm
Width	71mm
Depth	96mm
Flange size vertical in mm	68mm
Flange size horizontal in mm	62mm
Drill hole dist. vertical mm	47mm
Drill hole dist. horizontal mm	47mm
Material of enclosure	Polyamide
Contacts	The contact carrier is made of polyamide, The contacts are brass

Additional technical properties	
	The inclination is 20°

Logistics data	
Weight/pcs	0.122 kg / Piece
Packaging	Bag
Content amount	1 ST
EAN	4024941128094
Length	96 mm
Width	71 mm
Height	82 mm
Weight	0.123 kg
Volume	558.912 ccm
Packaging	Carton
Content amount	10 ST
EAN	4024941962643
Length	275 mm
Width	175 mm
Height	137 mm
Weight	1.345 kg
Volume	5,737.5 ccm



4 MB 113

Ampere	16	16					
Polzahl	3	5					
a	68,0	75,0					
b	62,0	75,0					
c	47,0	60,0					
d	47,0	60,0					
e ø	5,5	5,5					
f	8,0	5,5					
h	46,0	46,0					
i	57,0	60,0					
k	56,0	70,0					
l	51,0	63,0					
α	20°	20°					
Leiter mm ² min	1,5	1,5					
Leiter mm ² max	4	4					