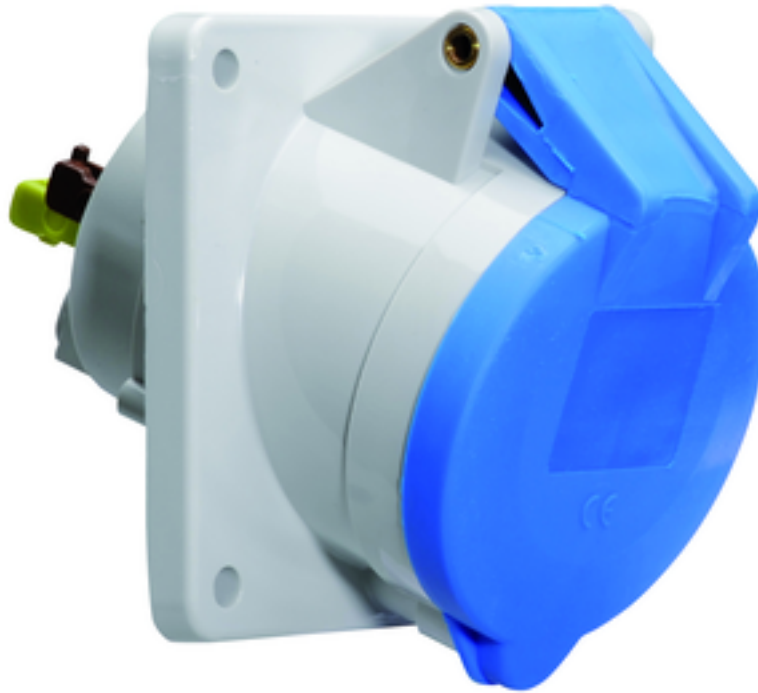


panel mounting socket outlet, angled - flange 85x85,  
fixing centers 70x70

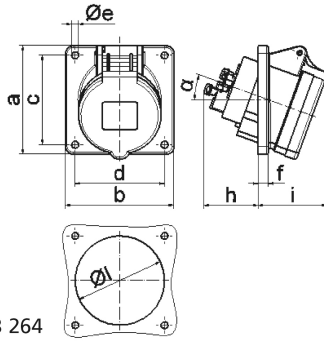


| Product description       |  |
|---------------------------|--|
| BALS-Prd.-Nr              | 12863  |
| EAN                       | 4024941128636                                      |
| Product category          | Panel mounting socket outlet Quick-Connect, angled |
| Current                   | 16A  |
| Number of poles           | 4p   |
| Arrangement of phases     | 3P+PE  |
| Position of earth contact | 9 h  |
| Voltage                   | 200 - 250V~  |

| Product description            |  |
|--------------------------------|--|
| Frequency                      | 50/60Hz  |
| Protection degree              | IP44   |
| Colour code                    | blue RAL 5015  |
| Colour of appliance            | Hinged lid blue RAL 5015, Enclosure grey RAL 7035                |
| Connection design              | screwless spring terminals with Kontex-Kontakt                   |
| Maximum conductor size         | 4,0 qmm  |
| Cable entry                    | other  |
| Height                         | 85mm   |
| Width                          | 85mm   |
| Depth                          | 102mm  |
| Flange size vertical in mm     | 85mm   |
| Flange size horizontal in mm   | 85mm   |
| Drill hole dist. vertical mm   | 70mm   |
| Drill hole dist. horizontal mm | 70mm   |
| Material of enclosure          | Polyamide  |
| Contacts                       | The contact carrier is made of polyamide, The contacts are brass |

| Additional technical properties |                        |
|---------------------------------|------------------------|
|                                 | The inclination is 20° |

| Logistics data |                  |
|----------------|------------------|
| Weight/pcs     | 0.131 kg / Piece |
| Packaging      | Bag              |
| Content amount | 1 ST             |
| EAN            | 4024941128636    |
| Length         | 102 mm           |
| Width          | 85 mm            |
| Height         | 85 mm            |
| Weight         | 0.132 kg         |
| Volume         | 736.95 ccm       |
| Packaging      | Carton           |
| Content amount | 10 ST            |
| EAN            | 4024941962780    |
| Length         | 245 mm           |
| Width          | 177 mm           |
| Height         | 185 mm           |
| Weight         | 1.443 kg         |
| Volume         | 7,140 ccm        |



4 MB 264

| Ampere                     | 16   | 16   | 16   | 32   | 32   | 32   |
|----------------------------|------|------|------|------|------|------|
| Polzahl                    | 3    | 4    | 5    | 3    | 4    | 5    |
| a                          | 85,0 | 85,0 | 85,0 | 85,0 | 85,0 | 85,0 |
| b                          | 85,0 | 85,0 | 85,0 | 85,0 | 85,0 | 85,0 |
| c                          | 70,0 | 70,0 | 70,0 | 70,0 | 70,0 | 70,0 |
| d                          | 70,0 | 70,0 | 70,0 | 70,0 | 70,0 | 70,0 |
| e ø                        | 5,5  | 5,5  | 5,5  | 5,5  | 5,5  | 5,5  |
| f                          | 8,0  | 8,0  | 8,0  | 8,0  | 8,0  | 8,0  |
| h                          | 46,0 | 46,0 | 46,0 | 55,0 | 55,0 | 55,0 |
| i                          | 50,0 | 51,0 | 54,0 | 60,0 | 60,0 | 60,0 |
| l ø                        | 57,0 | 65,0 | 70,0 | 78,0 | 78,0 | 78,0 |
| α                          | 20°  | 20°  | 20°  | 20°  | 20°  | 20°  |
| Leiter mm <sup>2</sup> min | 1,5  | 1,5  | 1,5  | 2,5  | 2,5  | 2,5  |
| Leiter mm <sup>2</sup> max | 4    | 4    | 4    | 10   | 10   | 10   |