

panel mounting socket outlet, angled - flange 74x62,
fixing centers 60x52

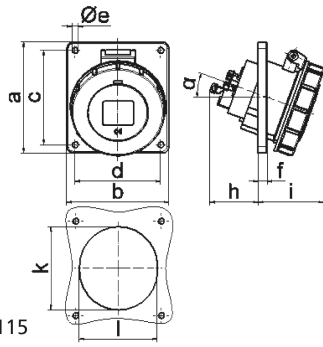


Product description	
BALS-Prd.-Nr	12826
EAN	4024941128261
Product category	Panel mounting socket outlet Quick-Connect, angled
Current	16A
Number of poles	3p
Arrangement of phases	2P+PE
Position of earth contact	6 h
Voltage	200 - 250V~

Product description	
Frequency	50/60Hz
Protection degree	IP67
Colour code	blue RAL 5015
Colour of appliance	Hinged lid blue RAL 5015, Bayonet ring grey RAL 7035, Enclosure grey RAL 7035
Connection design	screwless spring terminals with Kontex-Kontakt
Maximum conductor size	4,0 qmm
Cable entry	other
Height	84mm
Width	71mm
Depth	98mm
Flange size vertical in mm	74mm
Flange size horizontal in mm	62mm
Drill hole dist. vertical mm	60mm
Drill hole dist. horizontal mm	52mm
Material of enclosure	Polyamide
Contacts	The contact carrier is made of polyamide, The contacts are brass

Additional technical properties	
	The inclination is 20°

Logistics data	
Weight/pcs	0.123 kg / Piece
Packaging	Bag
Content amount	1 ST
EAN	4024941128261
Length	98 mm
Width	71 mm
Height	84 mm
Weight	0.124 kg
Volume	584.472 ccm
Packaging	Carton
Content amount	10 ST
EAN	4024941820905
Length	275 mm
Width	175 mm
Height	137 mm
Weight	1.355 kg
Volume	5,737.5 ccm



4 MB 115

Ampere	16	16	16	32	32	32
Polzahl	3	4	5	3	4	5
a	74,0	100,0	100,0	100,0	100,0	100,0
b	62,0	92,0	92,0	92,0	92,0	92,0
c	60,0	85,0	85,0	85,0	85,0	85,0
d	52,0	77,0	77,0	77,0	77,0	77,0
e ø	5,5	5,5	5,5	5,5	5,5	5,5
f	8,0	8,0	8,0	8,0	8,0	8,0
h	46,0	46,0	46,0	55,0	55,0	55,0
i	57,0	57,0	60,0	65,0	65,0	69,0
k	57,0	65,0	70,0	75,0	75,0	78,0
l	52,0	65,0	70,0	75,0	75,0	78,0
α	20°	20°	20°	20°	20°	20°
Leiter mm ² min	1,5	1,5	1,5	2,5	2,5	2,5
Leiter mm ² max	4	4	4	10	10	10