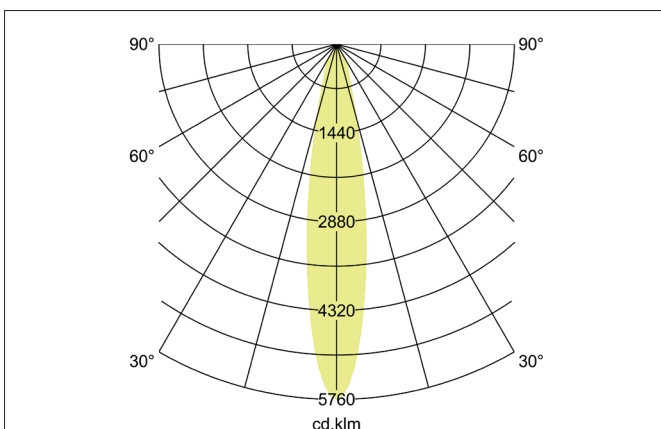
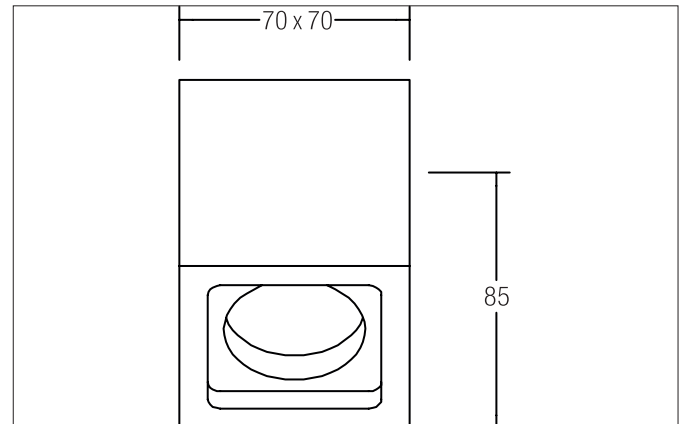


IDANO LED surface mounted downlight, IP54, on/off switchable

Article no. 12076173

Light.
For Generations.**Tender**

LED surface mounted downlight, IP54, on/off switchable, Square. Luminaire length 70.0 mm, Luminaire width 70.0 mm, Height 85.0 mm
 Weight 0.702 kg, Reflector silver with rotationssymmetrical, deep, wide distributed light intensity. optimal light distribution due to a glass transparent cover. Luminous flux 450 lm, Power 1 x 7 W, Light colour warm white, Correlated color temperature (CCT) 3.000 K, Colour rendering index CRI > 80, Housing material: Aluminium / Glass, Colour: White structure, Permissible ambient temperature (ta): -20 °C - +25 °C, Protection class (EN 61140): I, Degree of protection (DIN EN 60529): IP54, .With electronic driver, on/off switchable.

Article data	
Article no.	12076173
GTIN	4250047781400
Series name	IDANO
Short description	LED surface mounted downlight, IP54, on/off switchable
Material	Aluminium / Glass
Colour	White
Type of surface	Structure
Shape	Square
Length	70 mm
Width	70 mm
Height	85 mm
Scope of delivery	Incl. converter for connection to the 230-V mains voltage, on/off switchable
Weight	0.702 kg

IDANO LED surface mounted downlight, IP54, on/off switchable

Article no. 12076173

Light.
For Generations.

Lighting technology	
Colour temperature	3.000 K
Light colour	White
Light output	Direct
Luminous flux	450 lm
System efficiency	64 lm/W
Colour rendering	CRI > 80
Reflector	High-gloss
Reflector colour	silver
Beam angle	30°
Light sharing	Symmetric
Adjustable color temperature	No

Operating technology of the luminaire	
System output	7 W
Voltage type	AC
AC nominal voltage max	230 V
Frequenz max.	50 Hz
Lamp	LED
Lamp holder	Without fitting
Protection class	I
Degree of protection	IP54
Dimmable	No
Control	on/off
Bulb change possible	The light source of this luminaire may only be replaced by the manufacturer or a service technician commissioned by him or a similarly qualified person.

Mounting technology	
Mounting method	Surface mounting
Place of installation	Ceiling-mounted
Adjustability	Not adjustable
stamp	UKCA
Material cover	Glass transparent

Packing data	
Gross weight	0.769 kg
Length of packaging	90 mm
Packaging width	90 mm
Packaging height	100 mm
Disposal at end of life	This product must not be disposed of with household waste. You are obliged, to dispose of such electrical waste separately. By disposing of electrical waste and other old or defective electronics separately, you support recycling or other forms of re-use. In that way you help to take care and to avoid that harmful substances get into the environment.