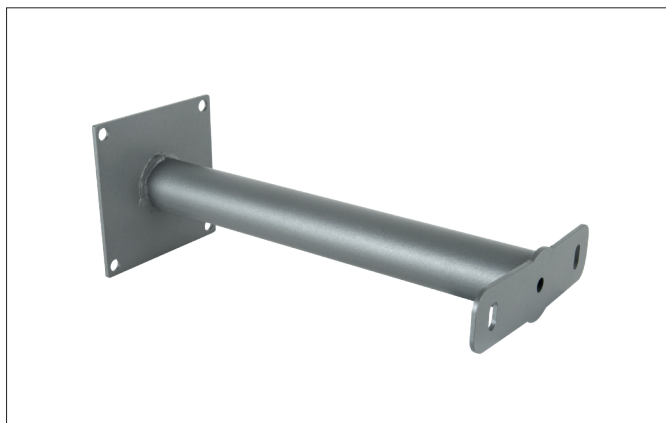


**MATRIX MINI Extension adapter to 60803, 60804... (Mini)**

Article no. 81101640

Light.  
For Generations.

Article data	
Article no.	81101640
GTIN	4251433952244
Series name	MATRIX MINI
Short description	Extension adapter to 60803, 60804... (Mini)
Length	500 mm
Width	150 mm
Weight	2.272 kg

Mounting technology	
---------------------	--

Packing data	
Gross weight	2.372 kg
Length of packaging	510 mm
Packaging width	160 mm
Packaging height	160 mm
Disposal at end of life	This product must not be disposed of with household waste. You are obliged, to dispose of such electrical waste separately. By disposing of electrical waste and other old or defective electronics separately, you support recycling or other forms of re-use. In that way you help to take care and to avoid that harmful substances get into the environment.