



- Energy-saving and advantageous LED technology: High luminance, low heat build-up, extremely long service life, maintenance-free
- Easily visible light signals due to light distribution optics in red, yellow, green, blue and white
- Usable down to -60 °C

WebCode **8010A**



R. STAHL Series 8010 indicator lamps use a white LED with light distribution optics, the light on which can be coloured red, yellow, green or blue using calottes. This means that important switching device signals can be easily identified even under poor lighting conditions. The indicator lamps are robust and can be used down to -60 °C.

Technical Data

Explosion Protection

Application range (zones)	1 2
IECEX gas certificate	IECEX PTB 06.0016U
IECEX gas explosion protection	Ex db eb IIC Gb
IECEX firedamp certificate	IECEX PTB 06.0016U
IECEX firedamp protection	Ex db eb I Mb
ATEX gas certificate	PTB 01 ATEX 1160 U
ATEX gas explosion protection	Ex II 2 G Ex db eb IIC Gb
ATEX firedamp certificate	PTB 01 ATEX 1160 U
ATEX firedamp protection	Ex I M2 Ex db eb I Mb
UL gas certificate	E81680V1S8
Marking cULus	Class I, Zone 1, AEx/Ex de IIC
Certificates	ATEX (PTB), Brazil (ULB), Canada / USA (UL), EAC (ENDCE), IECEX (PTB), India (PESO)

Electrical Data

Rated operational voltage AC	12 – 240 V
Rated operational voltage DC	12 – 240 V
Rated operational voltage AC UL	12 – 240 V
Voltage tolerance	1
Frequency	0 ... 60 Hz
Rated operational current	max. 10 mA
Rated operational current UL	0 A
Max. Rated operational power	1 W
Electrical service life	10 ⁵ lighting hours

Lighting Data

Lamp	White LED
------	-----------

Control Devices

LED indicator lamp for mounting rail mounting

Ex e

8010/2-01 Art. No. 237971



Ambient Conditions

Ambient temperature	-60 °C ... +60 °C
Ambient temperature	-76 °F ... +140 °F

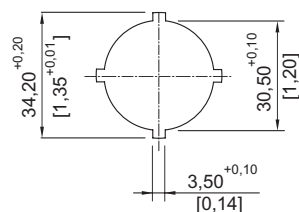
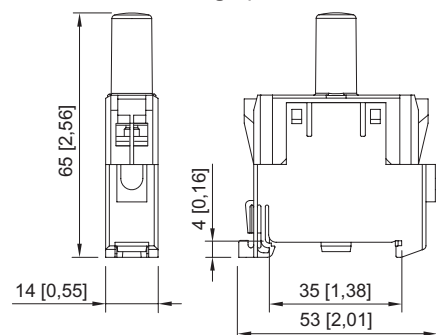
Mechanical Data

Degree of protection IP (IEC 60529)	IP20
Enclosure material	Polyamide
Silicone-free	Yes
Connection terminals USA max.	14 AWG
Connection cross-section solid	0.75 – 2.5 mm ²
Connection cross-section finely stranded	0.75 – 2.5 mm ²
Connection cross section finely stranded with core end sleeve	0.75 – 2.5 mm ²
Packaging unit	1
Weight	0.035 kg
Weight	0.077 lb

Mounting / Installation

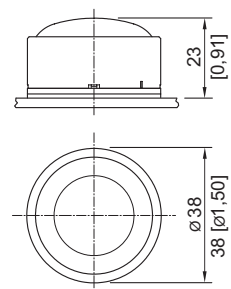
Tightening torque	1.2 Nm
Tightening torque lbf in	10.62 lbf in
Connection	Screw terminal

Dimensional Drawings (All Dimensions in mm [inches]) – Subject to Alterations



Cut-out details

LED indicating lamp



Calotte

Accessories

Art. No.

Control Devices

LED indicator lamp for mounting rail mounting

Ex e

8010/2-01 Art. No. 237971



223110

223111

Calotte

Art. No.



blue

155384

yellow

155381

green

155382

red

155380

white

155383

We reserve the right to make alterations to the technical data, dimensions, weights, designs and products available without notice. The illustrations cannot be considered binding.