

8102/21-32-C1013 Art. No. 132975



- Small resistant Ex e enclosure for distributing electric energy
- Degree of protection IP66
- Equipped with 4 mantle terminals and 1 PE connection

WebCode **8102A**



R. STAHL Series 8102 junction boxes are small Ex e enclosures for transporting and distributing electric energy in hazardous areas. They are made from glass fibre-reinforced polyester resin and are therefore extremely robust. The junction box has 5 mantle terminals, whereby one is used as a PE connection point. The cable dia. range of the mantle terminals is 2 x 4 mm².

Technical Data

Explosion Protection

Scope of validity	IECEX European Union (ATEX)
Application range (zones)	1 2 21 22
IECEX gas certificate	IECEX PTB 15.0010
IECEX gas explosion protection	Ex eb IIC T6/T5 Gb
IECEX dust certificate	IECEX PTB 15.0010
IECEX dust explosion protection	Ex tb IIIC T80 °C ... T90 °C Db
ATEX gas certificate	PTB 01 ATEX 1136
ATEX gas explosion protection	⊕ II 2 G Ex eb IIC T6/T5 Gb
ATEX dust certificate	PTB 01 ATEX 1136
ATEX dust explosion protection	⊕ II 2 D Ex tb IIIC T80 °C ... T90 °C Db
Certificates	ATEX (PTB), EAC (CCVE), IECEX (PTB)

Electrical Data

Rated operational voltage AC	690 V (16 A) 690 V (25 A)
Rated operational current	16 A (T6) 25 A (T5)

Ambient Conditions

Ambient temperature	-40 °C ... +40 °C (T6) -40 °C ... +70 °C (T5)
---------------------	--

Mechanical Data

Degree of protection note	according to IEC/EN 60529
Degree of protection IP (IEC 60529)	IP66
Enclosure material	Polyester resin, Glass fibre reinforced
Silicone-free	No

8102/21-32-C1013 Art. No. 132975

Mechanical Data

Clamping range max.	4 mm ²
Connection cross-section	4 mm ²
Cover	Screw-on cover
Width	71 mm
Width inches	2.8 in
Height	161 mm
Height inches	6.42 in
Depth	45 mm
Depth inches	1.77 in
Enclosure colour	Dark grey
Weight	0.33 kg
Weight	0.73 lb

Mounting / Installation

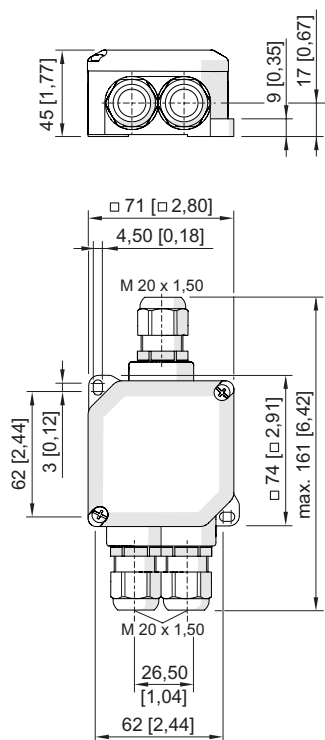
Tightening torque	1.4 Nm
Tightening torque lbf in	12,4 lbf in

Components

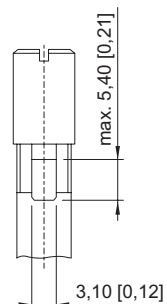
Entry 1	2 x 8161/7-M20-1304
Entry 1 type	Polyamide cable gland
Entry 1	M20 x 1.5
Entry 1 clamping range	4 ... 13 mm
Metal entry possible 1	No
Entry 2	1 x 8290/3-M20
Entry 2 type	Polyamide stopping plug
Entry 2	M20 x 1,5
Metal entry possible 2	No
Type of terminals 1	5 x Sheath terminal 4 mm ²

8102/21-32-C1013 Art. No. 132975

Dimensional Drawings (All Dimensions in mm [inches]) – Subject to Alterations



with cable entries 3 x M20



Layout of available connection chamber of sheath terminal

Accessories

Cable gland made of plastic



8161/7-M20-1304, black
4 ... 13 mm
50 pieces (delivery lot*)

Art. No.

239156

Stopping plug



8290/3-M20, 1 piece

Art. No.

143522

We reserve the right to make alterations to the technical data, dimensions, weights, designs and products available without notice. The illustrations cannot be considered binding.