

MS25/C-D-1-0-1-1-5G3-5R3 Art. No. 252252



WebCode MSA

## Technical Data

### Explosion Protection

Application range (zones)	1 2 21 22
IECEX gas certificate	IECEX BAS 13.0003X
IECEX gas explosion protection	Ex de IIC T6 Db
IECEX dust certificate	IECEX BAS 13.0003X
IECEX dust explosion protection	Ex tb IIIC T85 °C
ATEX gas certificate	Baseefa 13 ATEX 0006
ATEX gas explosion protection	⊕ II 2 G Ex de IIC T6 Db
ATEX dust certificate	Baseefa 13 ATEX 0006
ATEX dust explosion protection	⊕ II 2 D Ex tb IIIC T85 °C

### Electrical Data

Rated operational voltage DC	24 V
------------------------------	------

### Lighting Data

Number of light fields	2
Lamp	LED

### Ambient Conditions

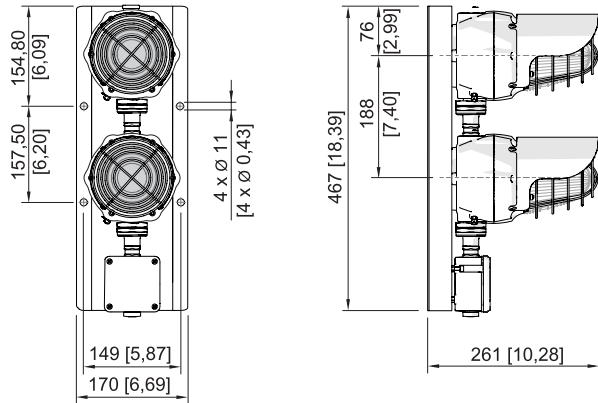
Ambient temperature	-60 °C ... +70 °C
---------------------	-------------------

### Mechanical Data

Degree of protection (IP)	IP66
Enclosure material	Polycarbonate
Material lens	Polycarbonate
Material sun shield	Stainless steel
Width	170 mm
Height	467 mm
Length	261 mm
Number of light fields	Red/green
Weight	7.84 kg
Weight	17.28 lb

MS25/C-D-1-0-1-1-5G3-5R3 Art. No. 252252

Dimensional Drawings (All Dimensions in mm [inches]) – Subject to Alterations



We reserve the right to make alterations to the technical data, dimensions, weights, designs and products available without notice. The illustrations cannot be considered binding.