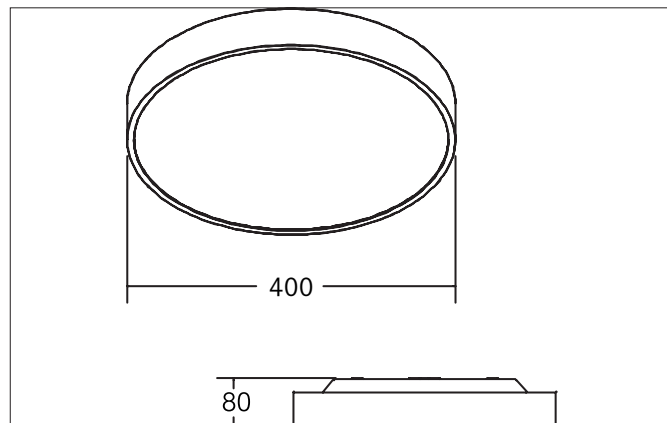


**LED surface mounted luminaire round 400, direct**

Article no. 12314173

Light.  
For Generations.**Tender**

LED surface mounted luminaire round 400, direct, white, Round. Surface mounting, Ceiling-mounted For use as wall or ceiling light. Mounting method: Surface mounting, Place of installation: Ceiling-mounted, Material: Aluminium / Steel / Acrylic, Degree of protection: according to DIN EN 60529 IP20, Protection class: (EN 61140) I, Voltage: 230V AC 50Hz, Power: 30.3W, Amount of light sources / fittings: 1.0 Qty, Luminous flux: 1.570lm, Light colour : White, Control: on/off.

Article data	
Article no.	12314173
GTIN	4251433924357
Short description	LED surface mounted luminaire round 400, direct
Material	Aluminium / Steel / Acrylic
Colour	White
Shape	Round
Outer diameter	400 mm
Scope of delivery	Incl. converter for connection to the 230-V mains voltage
weight	2.290 kg

Lighting technology	
Light colour	White
Luminous flux	1,570 lm
Colour rendering	CRI > 80

**LED surface mounted luminaire round 400, direct**

Article no. 12314173

Light.  
For Generations.

Operating technology of the luminaires	
Voltage type	AC
AC nominal voltage max	230 V
Frequenz max.	50 Hz
Lamp	LED
Protection class	I
Degree of protection	IP20
Control	on/off
Bulb change possible	Yes

Mounting technology	
Mounting method	Surface mounting
Place of installation	Ceiling-mounted
Adjustability	Not adjustable

Packing data	
Gross weight	2.72 kg
Length of packaging	431 mm
Packaging width	415 mm
Packaging height	87 mm
Disposal at end of life	This product must not be disposed of with household waste. You are obliged, to dispose of such electrical waste separately. By disposing of electrical waste and other old or defective electronics separately, you support recycling or other forms of re-use. In that way you help to take care and to avoid that harmful substances get into the environment.