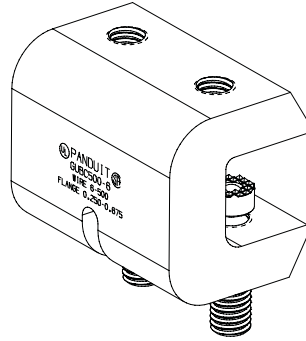




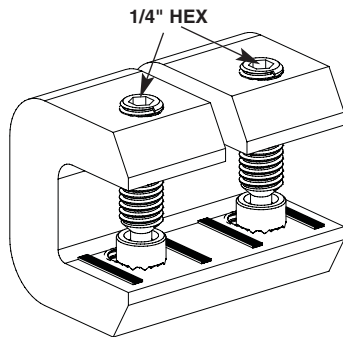
# Universal Beam Clamp

## INSTALLATION INSTRUCTIONS T-PMPI-290-PC

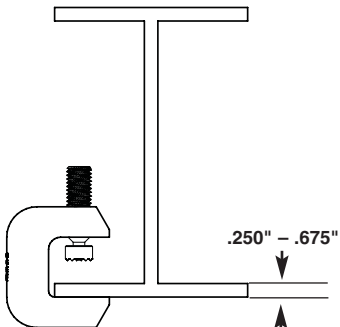
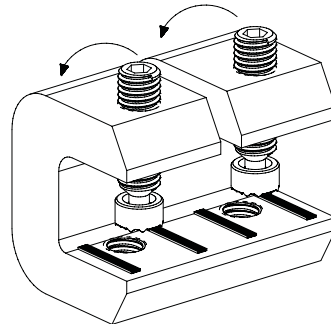
© 2008 PANDUIT Corp.



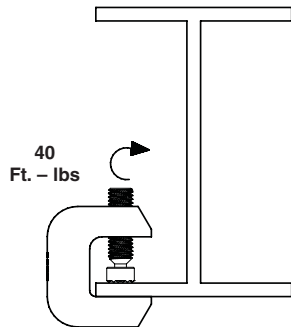
GUBC



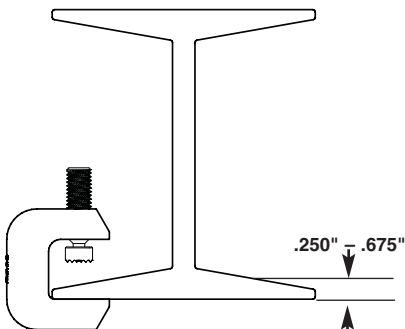
1/4" HEX



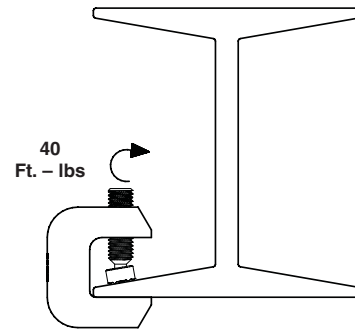
.250" - .675"



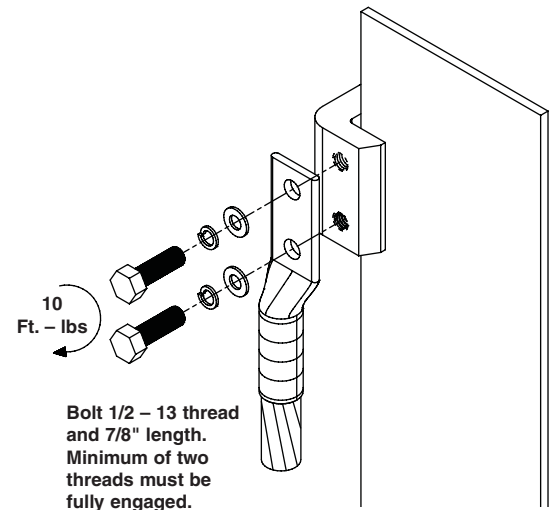
40  
Ft. - lbs



.250" - .675"



40  
Ft. - lbs



10  
Ft. - lbs

Bolt 1/2 - 13 thread  
and 7/8" length.  
Minimum of two  
threads must be  
fully engaged.

Note: Factory applied anti-oxidant may discolor over time, but product performance is not diminished. Remove all non-conductive material from mating surfaces prior to installation.



Meets All  
**IEEE**  
837™ - 2002  
Requirements

For Instructions in Local Languages  
and Technical Support:

[http://www.panduit.com/resources/install\\_maintain.asp](http://www.panduit.com/resources/install_maintain.asp)



[www.panduit.com](http://www.panduit.com)

E-mail:  
cs@panduit.com

Fax:  
(815)485-5839