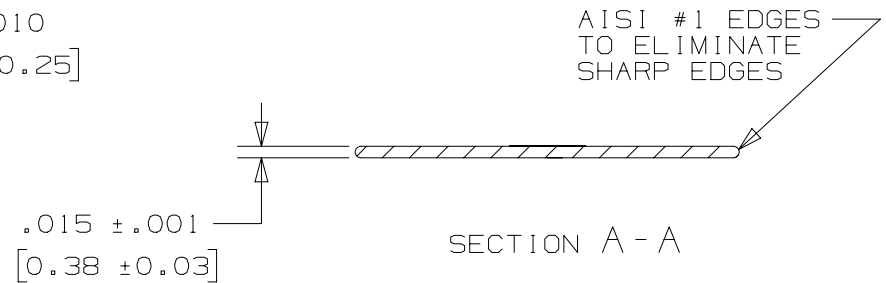
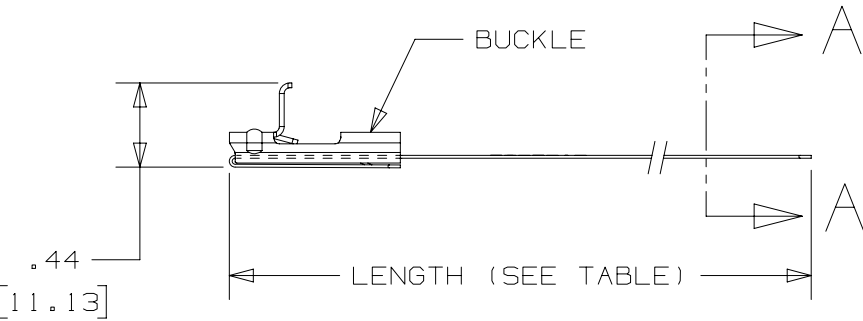
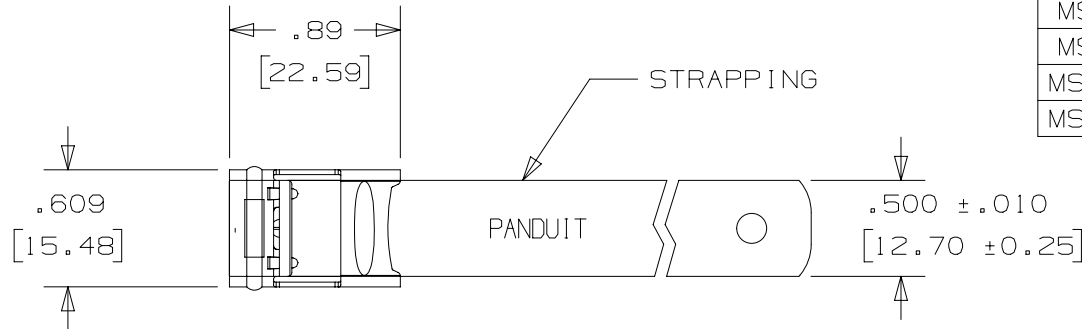


THIS COPY IS PROVIDED ON A RESTRICTED BASIS AND IS NOT TO BE USED IN ANY WAY DETRIMENTAL TO THE INTERESTS OF PANDUIT CORP.

PART NO.	MATERIAL	MAX. BUNDLE DIA [mm]	LENGTH ±.1 (2)
MS4W50T15-L4	304	4" [102]	18.0" [457]
MS4W50T15-L6	316		
MS6W50T15-L4	304	6" [152]	24.4" [620]
MS6W50T15-L6	316		
MS8W50T15-L4	304	8" [203]	30.7" [780]
MS8W50T15-L6	316		
MS10W50T15-L4	304	10" [254]	37.0" [940]
MS10W50T15-L6	316		



NOTES:

1. APPLICATION TOOLS: BT2MS75, BT2HT
2. ALL DIMENSIONS IN BRACKETS [] ARE MILLIMETERS.
3. FOR MATERIAL SEE TABLE.
4. TOLERANCES (UNLESS OTHERWISE SPECIFIED):
 .X ± .03 [.8]
 .XX ± .02 [.5]
 .XXX ± .01 [.25]

REV	DATE	BY	CHK	APR	DESCRIPTION	ECN
3	02.24.15	BDK	SKB	RGRO	UPDATED TITLE BLOCK AND BORDER	N41151BS_DC

TITLE		METAL STRAPPING .500 [12.70] WIDE		
CUSTOMER DRAWING				
ITEM REVISION NAME		N41151BS/02		
DATASET FILE NAME		N41151BS_DC/02A		
UNLESS OTHERWISE SPECIFIED, DIMENSIONAL TOLERANCES ARE: IN [mm]		MATERIAL: SEE NOTES		
.x ± .1 [2.54] .xxx ± .005 [.127]		DRAWING NUMBER: N41151BS_DC		
.xx ± .01 [.25] ANGLES ± 5 °		THIRD ANGLE PROJECTION		
DRAWN BY	DATE	CHK	SCALE	SIZE
BRH	9/23	EJD	FULL	A
SHT 1 OF 1				

D10100DA/16