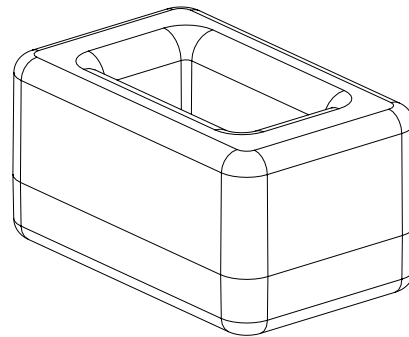
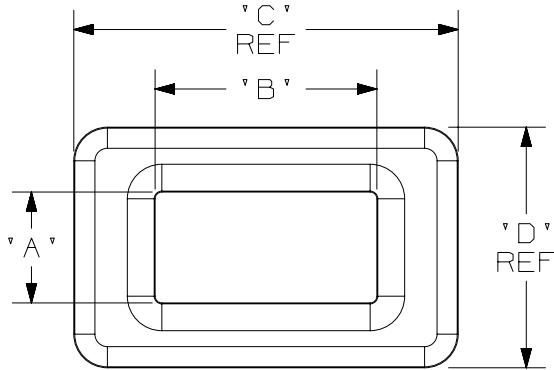



THIS COPY IS PROVIDED ON A RESTRICTED BASIS AND IS NOT TO BE USED IN ANY WAY DETRIMENTAL TO THE INTERESTS OF PANDUIT CORP.

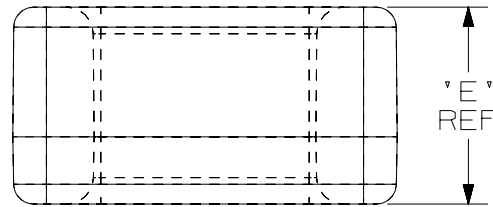
PANDUIT PART NUMBER*	MAT'L SUFFIX	MATERIAL	DIMENSIONS					WEIGHT lbs/100 pcs (g)/100 pcs	USE WITH ANY OF THESE CABLE TIE CROSS-SECTIONS
			'A'	'B'	'C' REF.	'D' REF.	'E' REF.		
CR2	NONE	NYLON 6/6	0.13 [3.30]	0.21 [5.33]	0.33 [8.38]	0.24 [6.09]	0.20 [5.0]	0.04 [18.1]	M, I, S
CR4H	NONE	NYLON 6/6	0.17 [4.32]	0.33 [8.38]	0.57 [14.6]	0.36 [9.1]	0.30 [7.6]	0.16 [72.6]	M, I, S, LH
	0	WEATHER RESISTANT NYLON 6/6 (BLACK)							
	30	HEAT STABILIZED NYLON 6/6 (BLACK)							




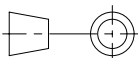
NOTES:

- SEE www.panduit.com FOR CURRENT PART NUMBER SUFFIX DESIGNATION AND FOR PACKAGE SIZE AND PART COLOR.
- CABLE TIE CROSS-SECTION CODE: M=MINATURE, I=INTERMEDIATE, S=STANDARD, LH=LIGHT HEAVY.
-  BAG MAY CONTAIN EXTRA PIECES TO COMPENSATE FOR VARIANCE IN THE PACKAGING PROCESS. PANDUIT ASSURES MINIMUM PIECE COUNT AS STATED ON THE BAG.

DIMENSIONS IN BRACKETS ARE METRIC [mm]



REV	DATE	BY	CHK	APR	DESCRIPTION	ECN
13	12/4/2020	RVU	JADE	RMHI	ADDED NOTE 3.	GAECN05827
12	5/08/13	BWG	JADE	RTFI	UPDATED NOTE 1 AND TITLE BORDER.	GB0239EB/12

TITLE		CR2/CR4H - CONNECTOR RING	
ITEM REVISION NAME		CUSTOMER DRAWING	
DATASET FILE NAME		10B015JM/02	
DATASET FILE NAME		10B015JM_DC_GB0239EB/13	
UNLESS OTHERWISE SPECIFIED, DIMENSIONAL TOLERANCES ARE: IN [mm]		 MATERIAL: SEE TABLE	
.x ± 0.05 [1.3] .xxx ± .010 [.25] .xx ± .02 [0.5] ANGLES ± 5 °			
 THIRD ANGLE PROJECTION		DRAWING NUMBER: GB0239EB	
DRAWN BY	DATE	CHK	SCALE
MLD	8/26/96	JADE	NONE
SHT 1 OF 1			SIZE A

D10100DA/20