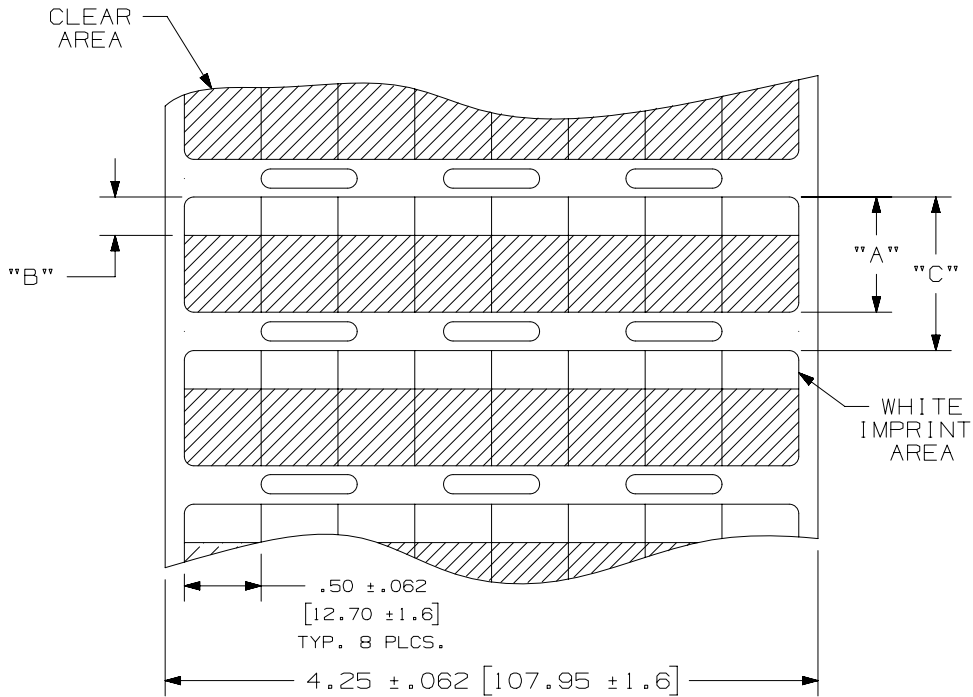
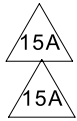


THIS COPY IS PROVIDED ON A RESTRICTED BASIS AND IS NOT TO BE USED IN ANY WAY DETRIMENTAL TO THE INTERESTS OF PANDUIT CORP.

PART NUMBER	MATERIAL	HEIGHT "A" +/- .062	IMPRINT AREA "B" +/- .062	VERTICAL REPEAT "C" +/- .062	LABELS PER ROW	STANDARD PKG. QTY.
S050X075VATY	GMV17	0.75 [19.0]	0.25 [6.35]	1.00 [25.4]	8	5000
S050X125VATY	GMV17	1.25 [31.8]	0.38 [9.53]	1.50 [38.1]		
S050X150VATY	GMV17 OR GMV18	1.50 [38.1]	0.50 [12.7]	1.80 [45.7]		
S050X250VATY	GMV17 OR GMV18	2.50 [63.5]	1.00 [25.4]	2.75 [69.8]		



NOTE:
1. MILLIMETERS ARE IN [].

TITLE S050X075VATY, S050X125VATY, S050X150VATY, S050X250VATY OPTIMUM THERMAL TRANSFER SELF-LAMINATING LABELS CUSTOMER DRAWING					
ITEM REVISION NAME 100472BV/15					
DATASET FILE NAME 100472BV_DC/15A C10197 r15A CUST DWG					
UNLESS OTHERWISE SPECIFIED, DIMENSIONAL TOLERANCES ARE: IN [mm] .x ± .12 [3.05] .xxx ± .025 [.635] .xx ± .062 [1.57] ANGLES ±				MATERIAL: SEE TABLE	
DRAWING NUMBER: C10197				DRAWING NUMBER: C10197	
DRAWN BY RVU	DATE 9/22/04	CHK MSAD	SCALE NTS	SHT 1 OF 1	

REV	DATE	BY	CHK	APR	DESCRIPTION	ECN
15A	9/26/2022	RVU	JEFP	MSAD	S050X150VATY AND S050X250VATY, GMV17 OR GMV18 WAS GMV17.	GAECN06240

D10100DA/16