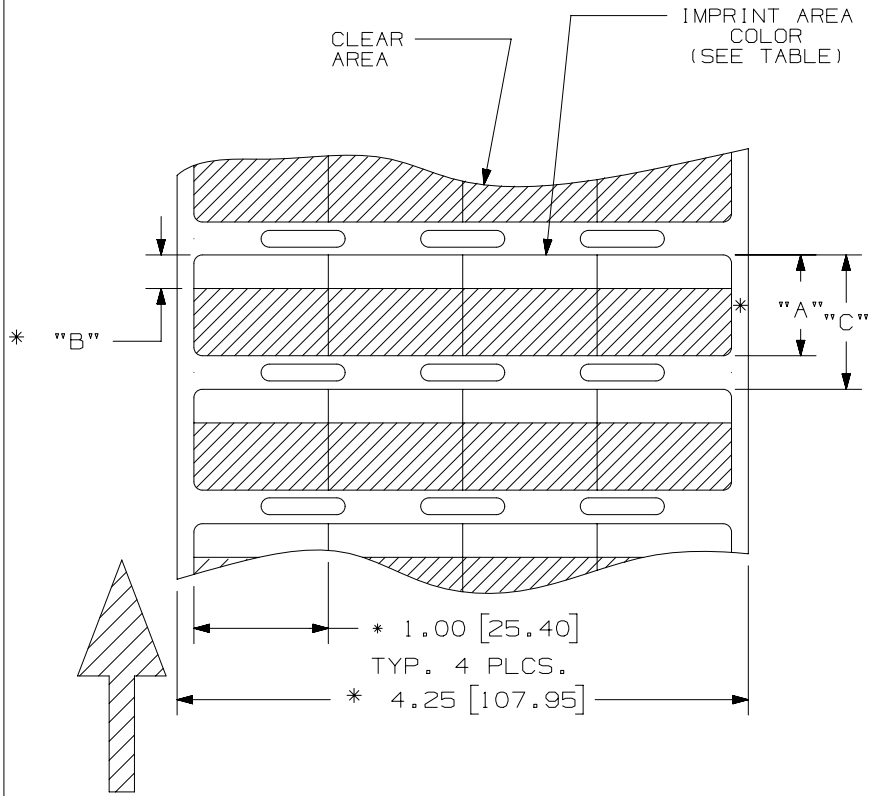


THIS COPY IS PROVIDED ON A RESTRICTED BASIS AND IS NOT TO BE USED IN ANY WAY DETRIMENTAL TO THE INTERESTS OF PANDUIT CORP.

PART NUMBER	MATERIAL	"A" DIM	"B" IMPRINT AREA	COLOR-IMPRINT AREA	"C" VERTICAL AREA	"D" DIM	LABELS PER ROW	STD. PKG. QTY.
S100X225VBTY	GMV17 OR GMV18	2.25 [57.2]	0.75 +/- .062 [19.0 +/- 1.6]	TIA BLUE	2.50 [63.5]	.063 [1.60]	4	5,000
S100X225VDTY				TIA GREEN				
S100X225VGTY				TIA PURPLE				
S100X225VHTY				TIA PINK				
S100X225VITY				TIA YELLOW				
S100X150VBTY				TIA BLUE				
S100X150VCTY		TIA TAN						
S100X150VDTY		TIA GREEN						
S100X150VETY		TIA GRAY						
S100X150VFTY		TIA ORANGE						
S100X150VHTY		TIA PINK						
S100X150VITY		TIA YELLOW						
S100X150VOTY		TIA BLACK						
S100X150V9TY		TIA GOLD						



NOTES:
1. MILLIMETERS ARE IN [].

UNWIND
DIRECTION

CAD FILENAME/LAYERS
I00472HT-DC-C10404/09A

REV	DATE	BY	CHK	DESCRIPTION	ECN	R	CUST	SUP
5	8/5/22	JEFP	DAPE	CHANGED MATERIAL TO GMV17 OR GMV18, OBSOLETE S100X225VCTY, S100X225VETY, S100X225VFTY, S100X225VOTY, S100X225V9TY, S100X150VGTY	GAECN06570	00		
4	7/7/22	JEFP	DAPE	ADDED A MATERIAL COLUMN AND CHANGED SOME MATERIALS TO GM18	GAECN06545	00		
3	8/10/12	RVU		GMV17 WAS GMV16.	GAECN00177	00		
2	1/23/08	RVU	DWY	REMOVED "SEE MIF. NO." FROM THE TABLE. ADDED "TIA COLOR" ON TABLE.	5268	R		
1	12/20/07	RVU	DWY	GMV16 WAS GMV54CLC.	5243	R		
0	9-11-06	RVU	DWY	RELEASE TO PRODUCTION.	4671	R		

PANDUIT CORP. TINLEY PARK, ILLINOIS

OPTIMUM SELF-LAM. CUSTOMER DRAWING
S100X150V**Y & S100X225V**Y
THERMAL TRANSFER PRINTABLE LABELS
WITH COLOR TINTED IMPRINT AREAS

UNLESS OTHERWISE SPECIFIED,
DIMENSIONAL TOLERANCES ARE:
(.X) ± (.XXX) ±
(.XX) ± ANGLES ±

UNLESS OTHERWISE SPECIFIED,
ALL DIMENSIONS ARE GIVEN
IN INCHES, THIRD ANGLE PROJECTION.

DRAWN BY: RVU
DATE: 3-30-06
CHK'D

MAT'L: SEE TABLE

SCALE: NTS
DRAWING NO.: C10404
DWG SIZE: A