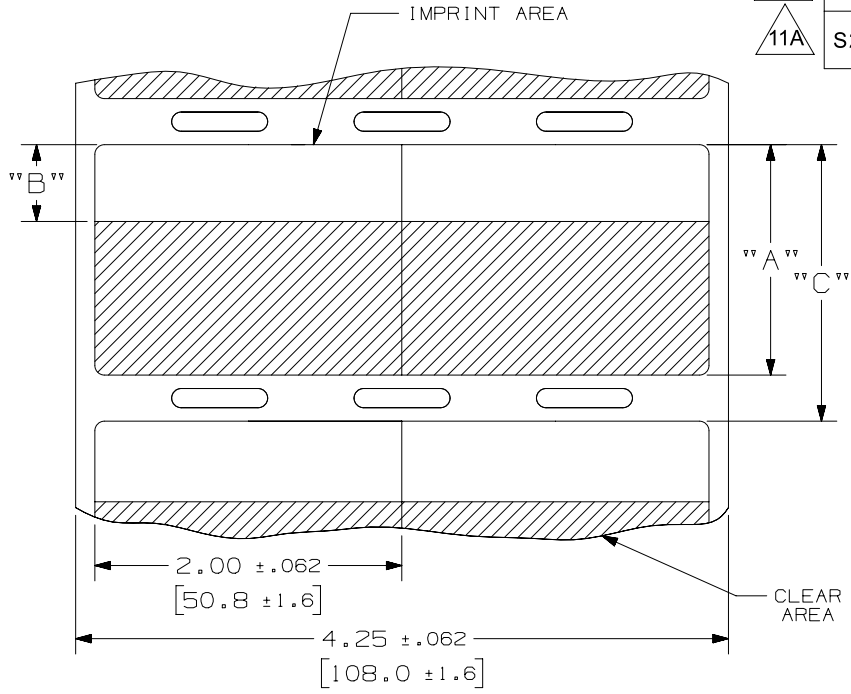


THIS COPY IS PROVIDED ON A RESTRICTED BASIS AND IS NOT TO BE USED IN ANY WAY DETRIMENTAL TO THE INTERESTS OF PANDUIT CORP.

PART NUMBER	MATERIAL	IMPRINT AREA "B" +/- .062	VERTICAL REPEAT "C" +/- .062	"A" HEIGHT +/- .062	LABELS PER ROW	STANDARD PKG. QTY.
11A S200X150VATY	GMV17 OR GMV18	1.50 [12.7]	0.50 [12.7]	1.75 [44.5]	2	5000
11A S200X225VATY	GMV17 OR GMV18	2.25 [57.2]	0.75 [19.1]	2.50 [63.5]	2	1000
11A S200X250VATY	GMV17 OR GMV18	2.50 [63.5]	1.00 [25.4]	2.75 [69.8]	2	1000
11A S200X400VATY	GMV17 OR GMV18	4.00 [101.6]	1.00 [25.4]	4.25 [108.0]	2	1000
11A S200X650VATY	GMV17 OR GMV18	6.50 [165.1]	1.50 [38.1] +/- .10	6.75 [171.5]	2	1000

11A  
11A  
11A  
11A  
11A

11A



NOTES:  
1. MILLIMETERS ARE IN [ ].

TITLE <b>OPTIMUM SELF-LAM. S200X***VATY THERMAL TRANSFER PRINTABLE LABELS</b>	
CUSTOMER DRAWING	
ITEM REVISION NAME I00472BY/11	<b>PANDUIT</b>
DATASET FILE NAME I00472BY_DC/11A C10468 r11A CUST DWG	
UNLESS OTHERWISE SPECIFIED, DIMENSIONAL TOLERANCES ARE: IN [ mm ]	
.x ± .12 [ 3.05 ] .xxx ± .025 [ .635 ] .xx ± .062 [ 1.57 ] ANGLES ±	
DRAWING NUMBER: C10468	
THIRD ANGLE PROJECTION	
DRAWN BY RVU	DATE 9/1/06
CHK MSAD	SCALE NTS
SHT 1 OF 1	
SIZE A	

REV	DATE	BY	CHK	APR	DESCRIPTION	ECN
11A	6/28/2022	RVU	JEFP	MSAD	CHANGED MATERIALS FROM GMV16 OR GMV17 TO GMV17 OR GMV18. REMOVED S200X150TAT AND S200X250TAT.	GAECN05942

D10100DA/20