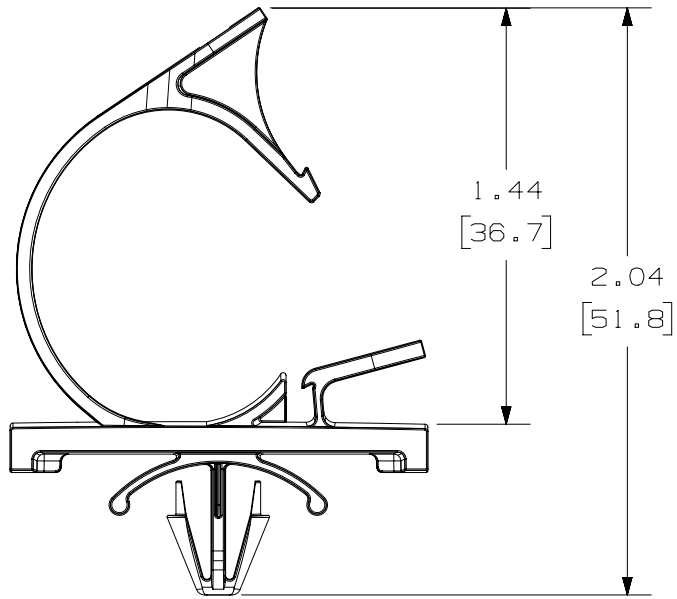
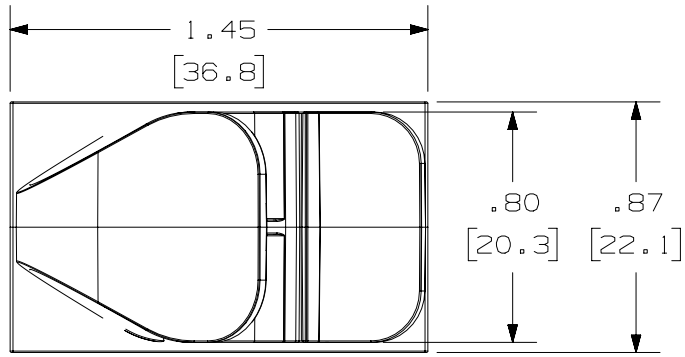
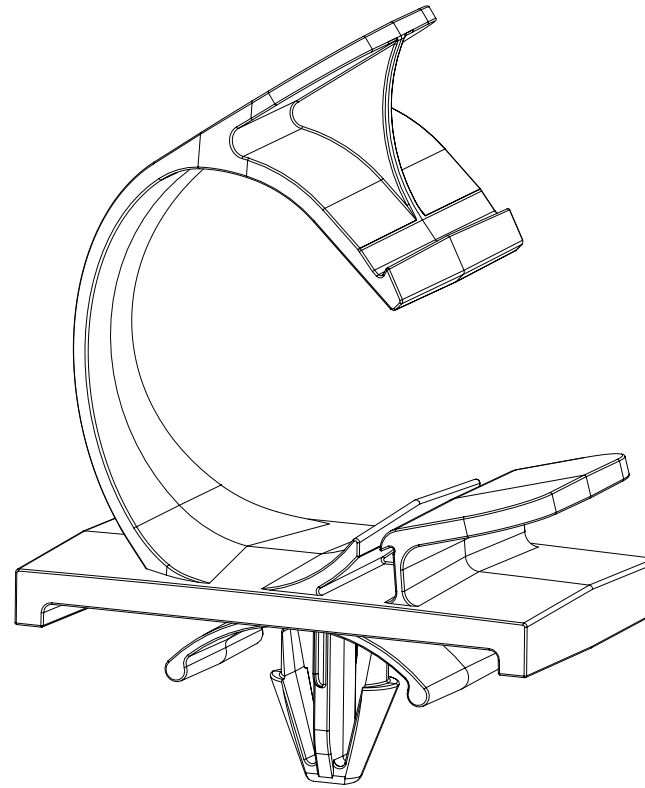


THIS COPY IS PROVIDED ON A RESTRICTED BASIS AND IS NOT TO BE USED IN ANY WAY DETRIMENTAL TO THE INTERESTS OF PANDUIT CORP.



PANTUIT PART NUMBER*	MAXIMUM CABLE DIA. in. [mm]	WEIGHT lbs. 9g0/100 pcs.	HOLE SIZE DIA. RANGE	PANEL THK. RANGE
LWC75-H25	0.75 [19.05]	1.05 (475)	3/16"-1/4" [5-6]	0.025-0.105 [0.6-3.0]



REV	DATE	BY	CHK	APR	DESCRIPTION	ECN
3	2/10/2020	RVU	DJW	JHAC	REBUILD MODEL AND RECREATE DRAWING.	GAECN05520
2	10/5/11	BWG			INCREASED MAX. PANEL THICKNESS FROM 2.7 mm TO 3.0 mm. REVISED NOTE 1 TO PANDUIT WEBSITE.	GB0239FG

TITLE <b>LWC75-H25 LATCHING WIRE CLIP</b> CUSTOMER DRAWING					
ITEM REVISION NAME 10B015DL/04				<b>PANDUIT</b>	
DATASET FILE NAME 10B015DL_DC_GB0239FG/04					
UNLESS OTHERWISE SPECIFIED, DIMENSIONAL TOLERANCES ARE: IN [ mm ]					
.x ± .05 [ 1.3 ]		.xxx ± .010 [ 0.25 ]		MATERIAL: <b>NYLON 6/6</b>	
.xx ± .02 [ 0.5 ]		ANGLES ± 5 °		DRAWING NUMBER: GB0239FG	
DRAWN BY JAD			DATE 8/18/97		CHK JHAC
SCALE NONE			THIRD ANGLE PROJECTION		SIZE A
SHT 1 OF 1					

D10100DA/20