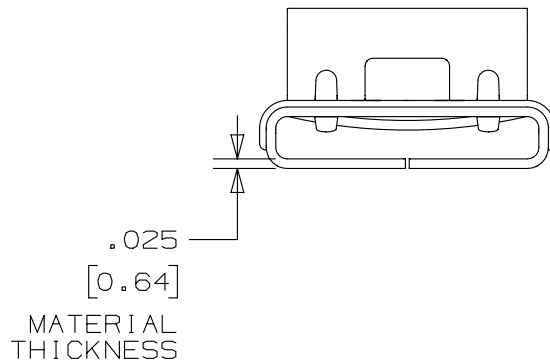
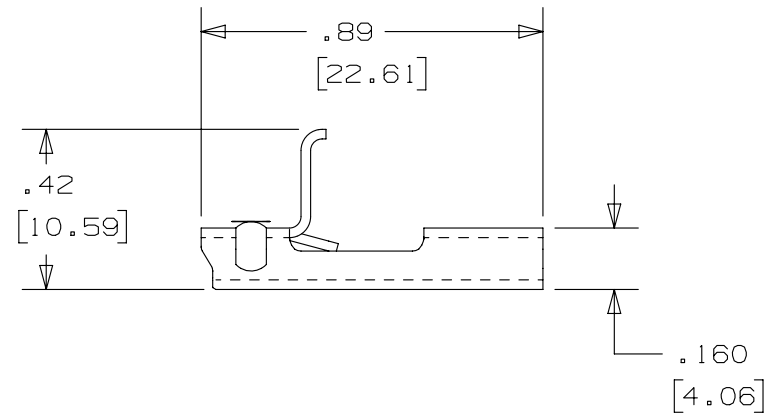
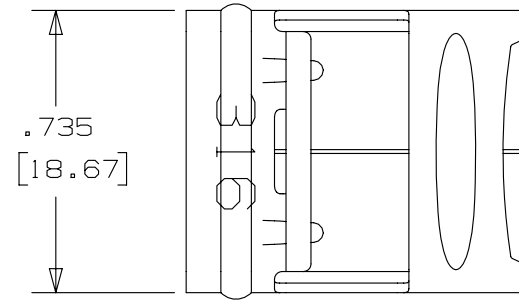


THIS COPY IS PROVIDED ON A RESTRICTED BASIS AND IS NOT TO BE USED IN ANY WAY DETRIMENTAL TO THE INTERESTS OF PANDUIT CORP.

(A)

- NOTES: 1. FOR USE WITH PANDUIT MS63T15-CR4 & MS63T15-CR6 CONTINUOUS STRAPPING.
2. APPLICATION TOOL: BT2MS75, BT2HT
3. DIMENSIONS IN BRACKETS [] ARE IN MILLIMETERS
4. UNLESS OTHERWISE SPECIFIED TOLERANCES ARE:
 .XX = ±.02 [.5]
 .XXX = ±.010 [.25]
5. MATERIAL: 304 OR 316 STAINLESS STEEL



REV	DATE	BY	CHK	APR	DESCRIPTION	ECN
03A	3/13	JAMB	MIM	RGRO	UPDATED DRAWING TO NEW GLOBAL PANDUIT TITLE BLOCK WITH PANDUIT LOGO	SSECN01045
02A	10/08	JAMB	EJD	JJB	ORIG CAD FILE SPEC WAS S41149_02. NOTE 2: APPLICATION TOOL BT1HT REPLACED BY BT2HT	-----
02	10/04	JAMB	EJD	JJB	(B) STRAPPING PART NO'S. IN TITLE BLOCK CHANGED TO BUCKLE PART NO'S DUE TO A TYPING ERROR	12067
01	9/04	JAMB	EJD	JJB	(A) VOIDED PART NO'S. MS625X15-TSR & MS625X15-TSR316 & REPLACED BY PART NO'S. MS63T15-CR4 & MS63T15-CR6 ON NOTE 1	12052
00	9/03	BRH	EJD	JJB	DRAWING RELEASED	11154

TITLE .625 in [15.88] ENHANCED METAL STRAPPING BUCKLE (B) MSBW63-C4 & MSBW63-C6		CUSTOMER DRAWING	
ITEM REVISION NAME N41149BS/03		PANDUIT	
DATASET FILE NAME N41149BS_DC/03A			
UNLESS OTHERWISE SPECIFIED, DIMENSIONAL TOLERANCES ARE: IN [mm] .x ± .1 [2.54] .xxx ± .005 [.127] .xx ± .01 [.25] ANGLES ± 5 °		MATERIAL: SEE NOTES	
DRAWN BY BRH		DRAWING NUMBER: N41149BS_DC	
DATE 9/03	CHK EJD	SCALE 2:1	SIZE A
SHT 1 OF 1			

2

1