

STRUCTUREDGROUND Kits for Cabinet Grounding



©PANDUIT Corp. 2022

INSTALLATION INSTRUCTIONS

T-PMPI-270-PC

	CGK630U	CGK630UA	CGK630UB	CGR630U	CGR630UA	CGR630UB	CGJxxxU	CGJxxxUA	CGJxxxUB	RGSxxxUC	RGSxxxUA-1	RGSxxxUA-1	THSK4-1	THSK8-1		CGK630U	CGK630UA	CGK630UB	CGR630U	CGR630UA	CGR630UB	CGJxxxU	CGJxxxUA	CGJxxxUB	RGSxxxUC	RGSxxxUA-1	RGSxxxUA-1	THSK4-1	THSK8-1										
Cabinet Grounding Strip	1	1	-	-	-	-	-	-	-	4	4	4	-	-	M6 Screw	8	-	-	-	-	-	-	-	-	-	-	-	-	-	-	-	-	-	-	-				
Cage Nut Grounding Strip	-	-	1	-	-	-	-	-	-	-	-	-	-	-	M6 HDW	8	-	8	-	8	-	-	-	-	-	-	-	-	-	-	-	-	-	-	-				
Strip Clip	-	-	3	-	-	-	-	-	-	-	-	12	12	-	M6 HDW	16	-	16	-	-	-	-	-	-	-	-	-	-	-	-	-	-	-	-	-				
Front to Back Jumper	2	2	2	2	2	2	2	2	2	-	-	-	-	-	10-32 Screw	-	8	-	-	-	-	-	-	-	-	-	-	-	-	-	-	-	-	-	-	-			
Universal Grounding Sticker	2	2	2	2	2	4	4	4	4	-	-	-	-	-	10-32 HDW	-	8	-	8	-	8	-	-	-	-	-	-	-	-	-	-	-	-	-	-	-			
19" Universal Ground Bar	1	1	1	1	1	-	-	-	-	-	-	-	-	-	10-32 HDW	-	16	-	16	-	16	-	-	-	-	-	-	-	-	-	-	-	-	-	-	-			
Cleaning Pad	1	1	1	1	1	1	1	1	1	1	1	1	-	-	M5 Screw	-	8	-	-	-	-	-	-	-	-	-	-	-	-	-	-	-	-	-	-	-	-	-	
ESD Port	2	2	2	-	-	-	-	-	-	-	-	-	-	-	M5 HDW	-	8	-	8	-	8	-	-	-	-	-	-	-	-	-	-	-	-	-	-	-	-		
ESD Sticker	2	2	2	-	-	-	-	-	-	-	-	-	-	-	M5 HDW	-	16	-	16	-	16	-	-	-	-	-	-	-	-	-	-	-	-	-	-	-	-		
12-24 Screw	8	-	-	-	-	-	-	-	-	16	-	-	-	-	Cage Nut Stud HDW	-	-	13	-	8	-	8	-	-	-	-	-	-	-	-	-	-	-	-	-	-	-		
12-24 HDW	8	-	8	-	8	-	-	-	-	-	-	-	-	-	Thru-Hole HDW	-	-	-	-	-	-	-	-	8	-	-	4	4	8	-	-	-	-	-	-	-	-	-	
12-24 HDW	16	-	28	16	-	24	16	-	24	24	-	8	8	12	18	AntiOX	1	1	1	1	1	1	1	1	1	1	1	1	1	1	1	1	1	1	1	1	1	1	1

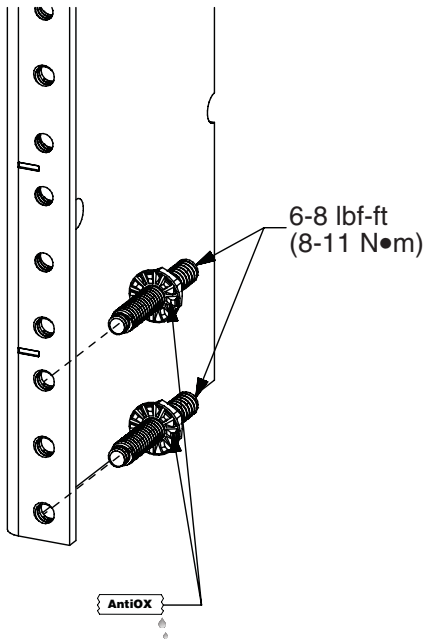
All torque values are based on a maximum Equipment Rail coating of .003 inches.

For Technical Support: www.panduit.com/resources/install_maintain.asp

CGK630U, CGK630UA, CGR630U, CGR630UA, CGJxxxU, CGJxxxUA, RGSxxx, RGSxxxA

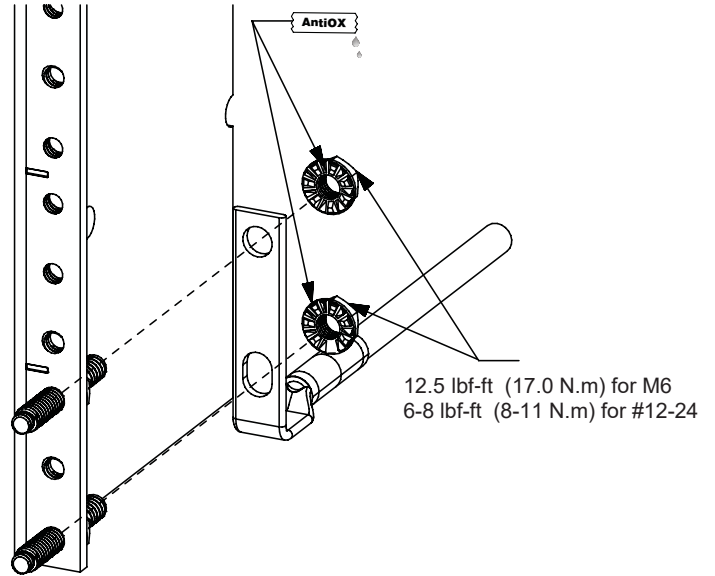
1

CGK630U, UA
CGR630U, UA
CGJxxxU, UA



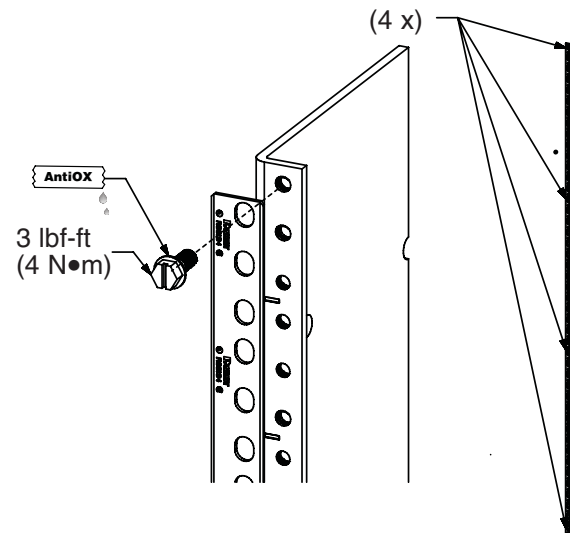
2

CGK630U, UA
CGR630U, UA
CGJxxxU, UA



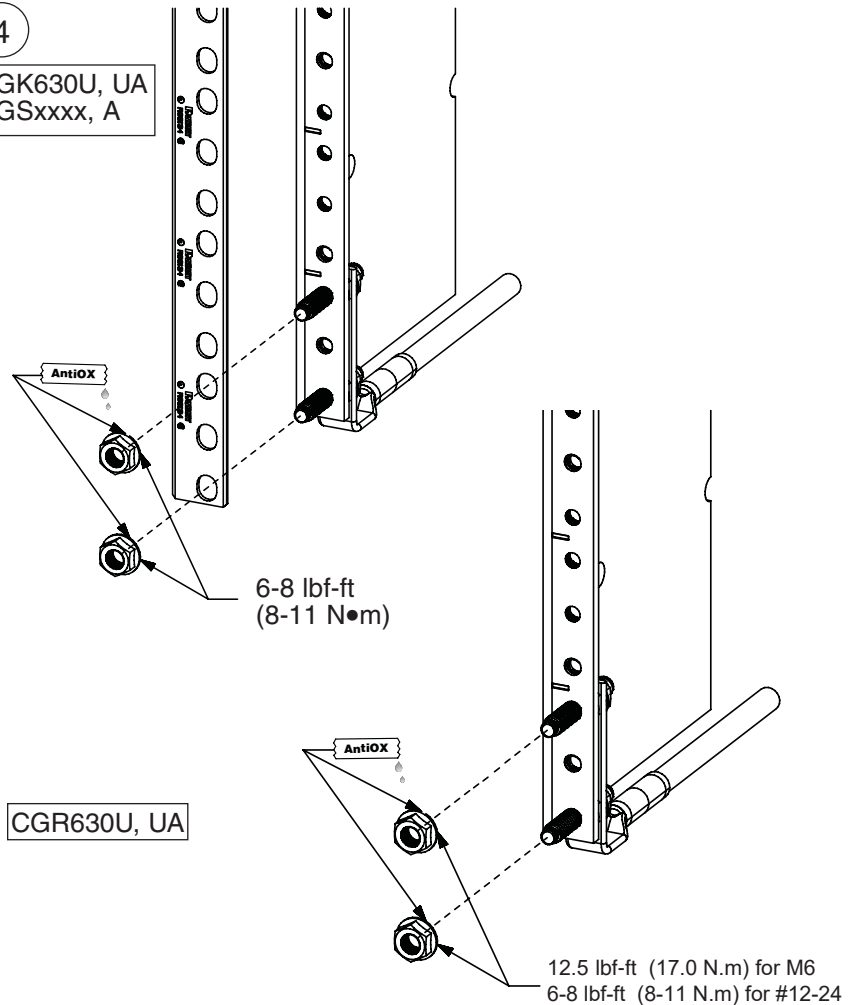
3

CGK630U, UA
RGSxxxx, A



4

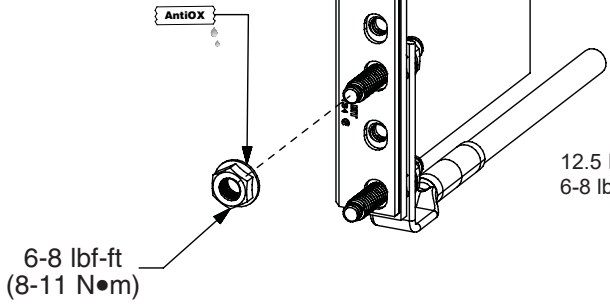
CGK630U, UA
RGSxxxx, A



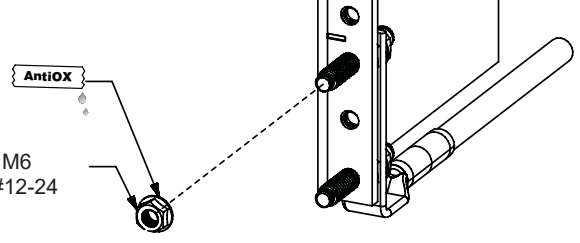
5

CGK630U, UA
RGSxxxx, A

CGR630U, UA



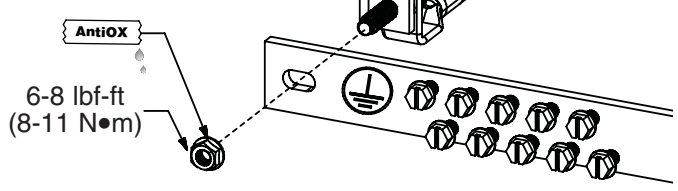
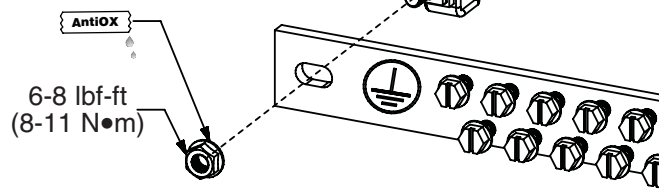
12.5 lbf-ft (17.0 N.m) for M6
6-8 lbf-ft (8-11 N.m) for #12-24



6

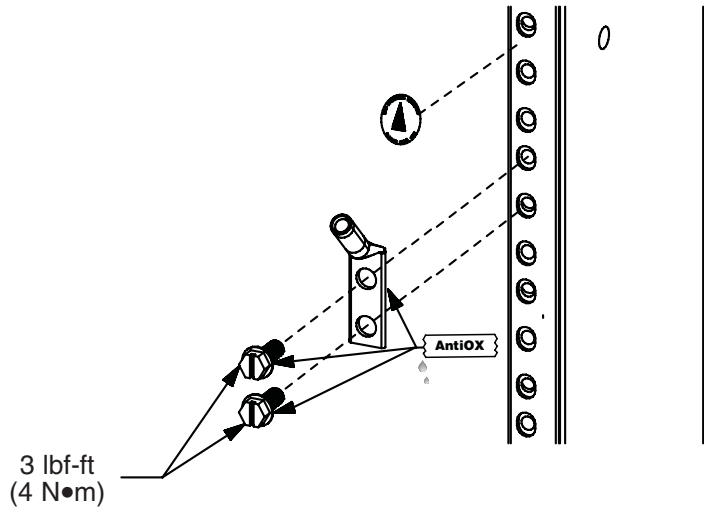
CGK630U, UA

CGR630U, UA

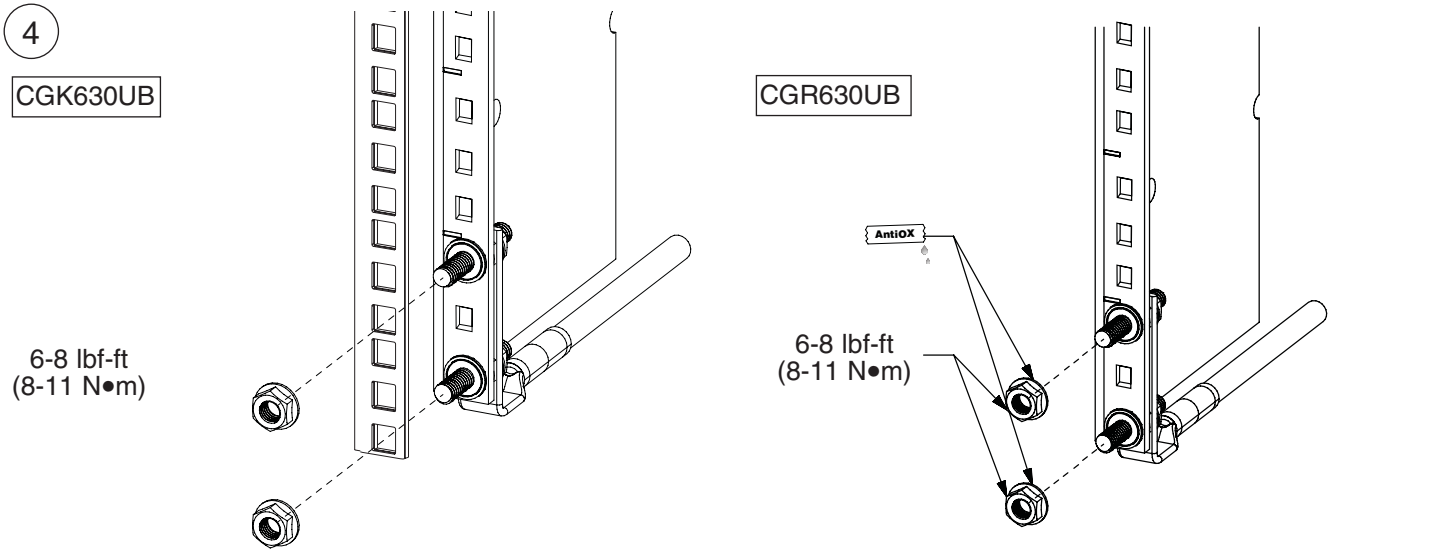
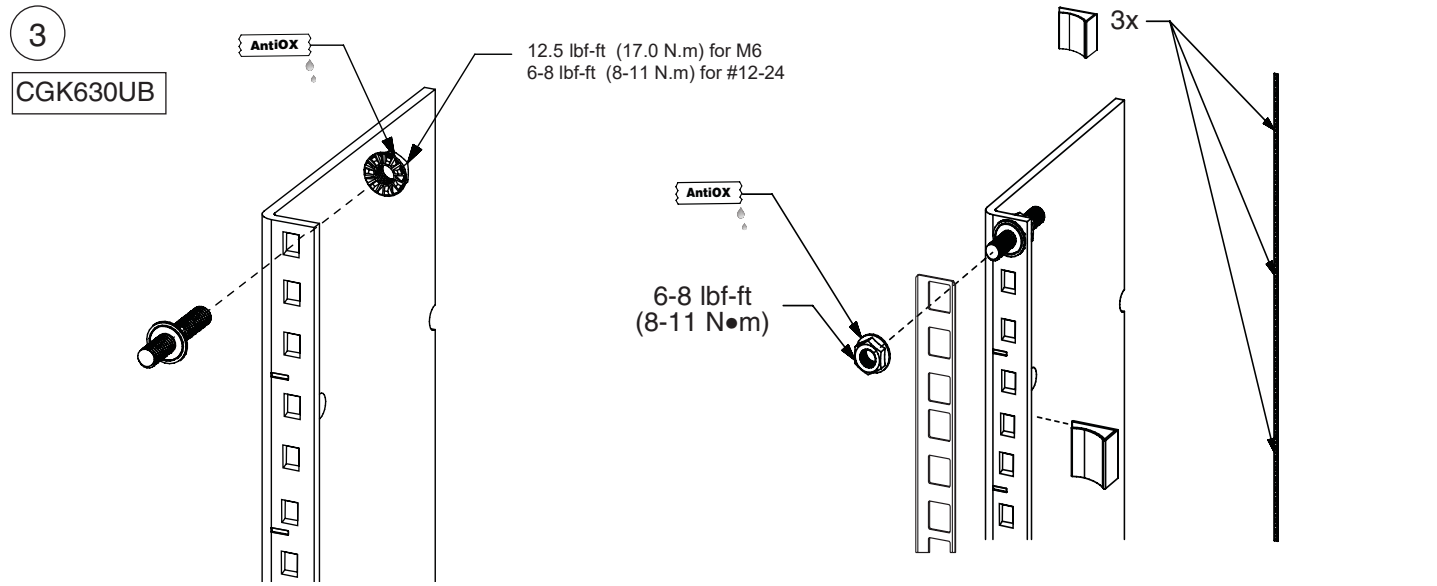
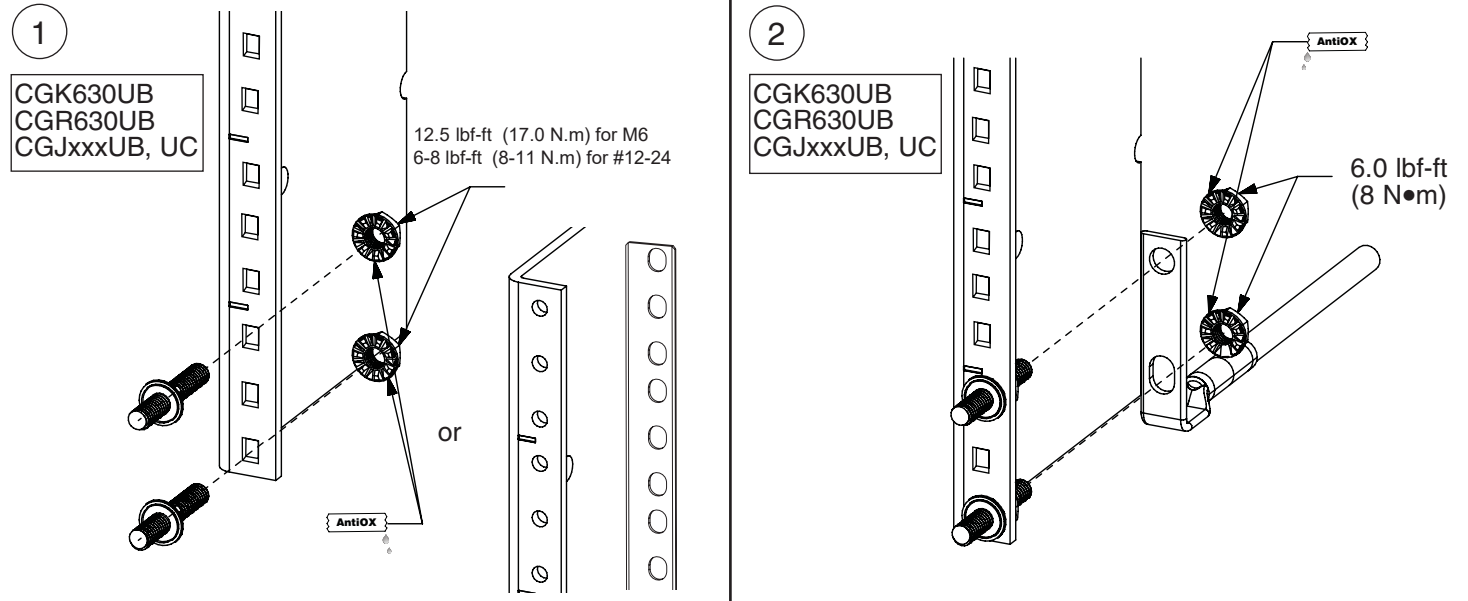


7

CGK630U, UA

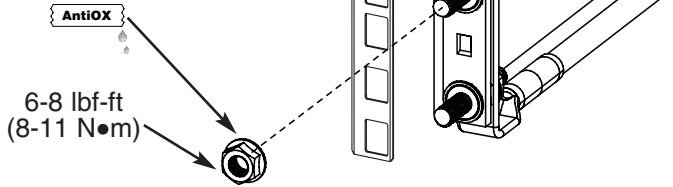


CGK630UB, CGR630UB, CGJxxxUB, CGJxxxUC, RGSxxxxC, THSK4, THSK8

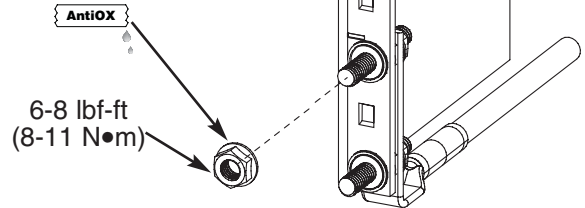


5

CGK630UB

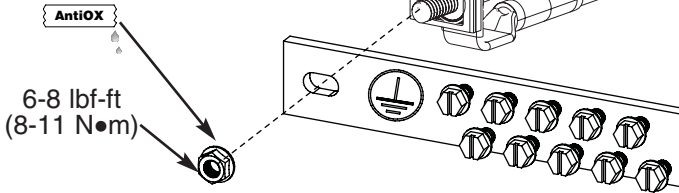


CGR630UB

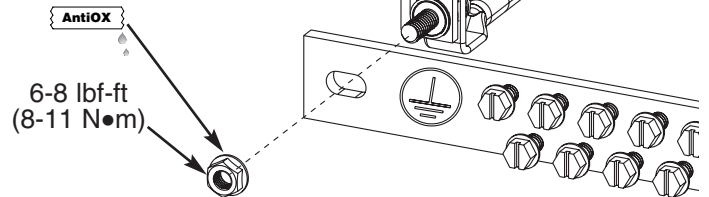


6

CGK630UB

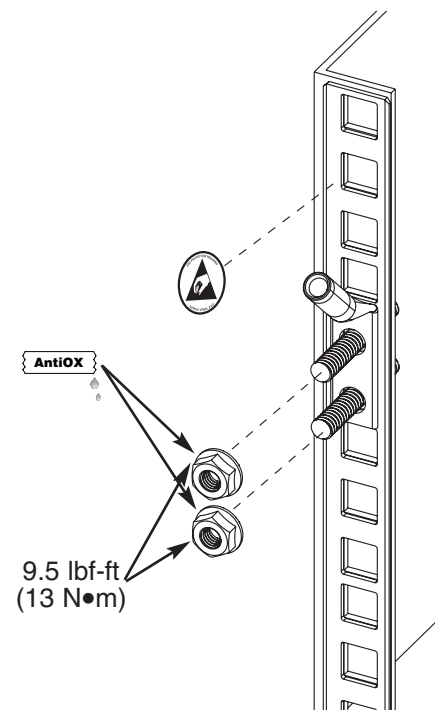
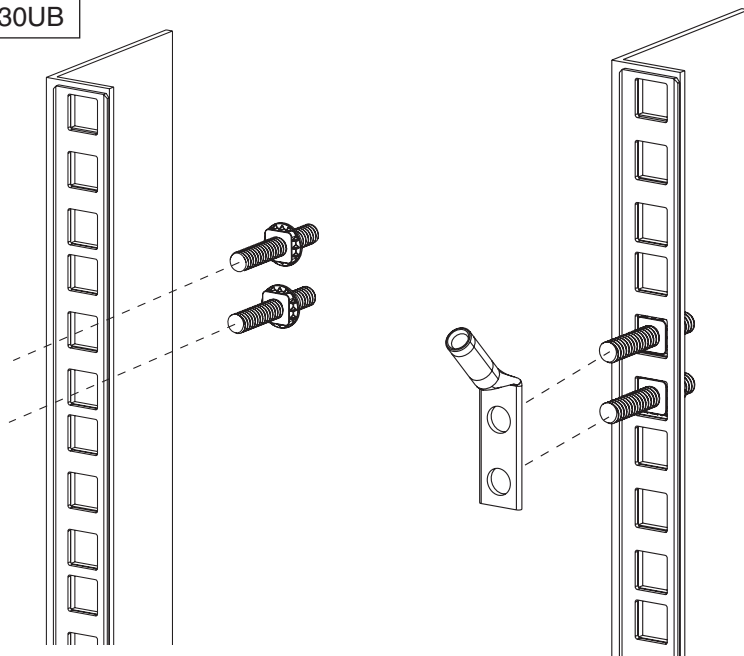


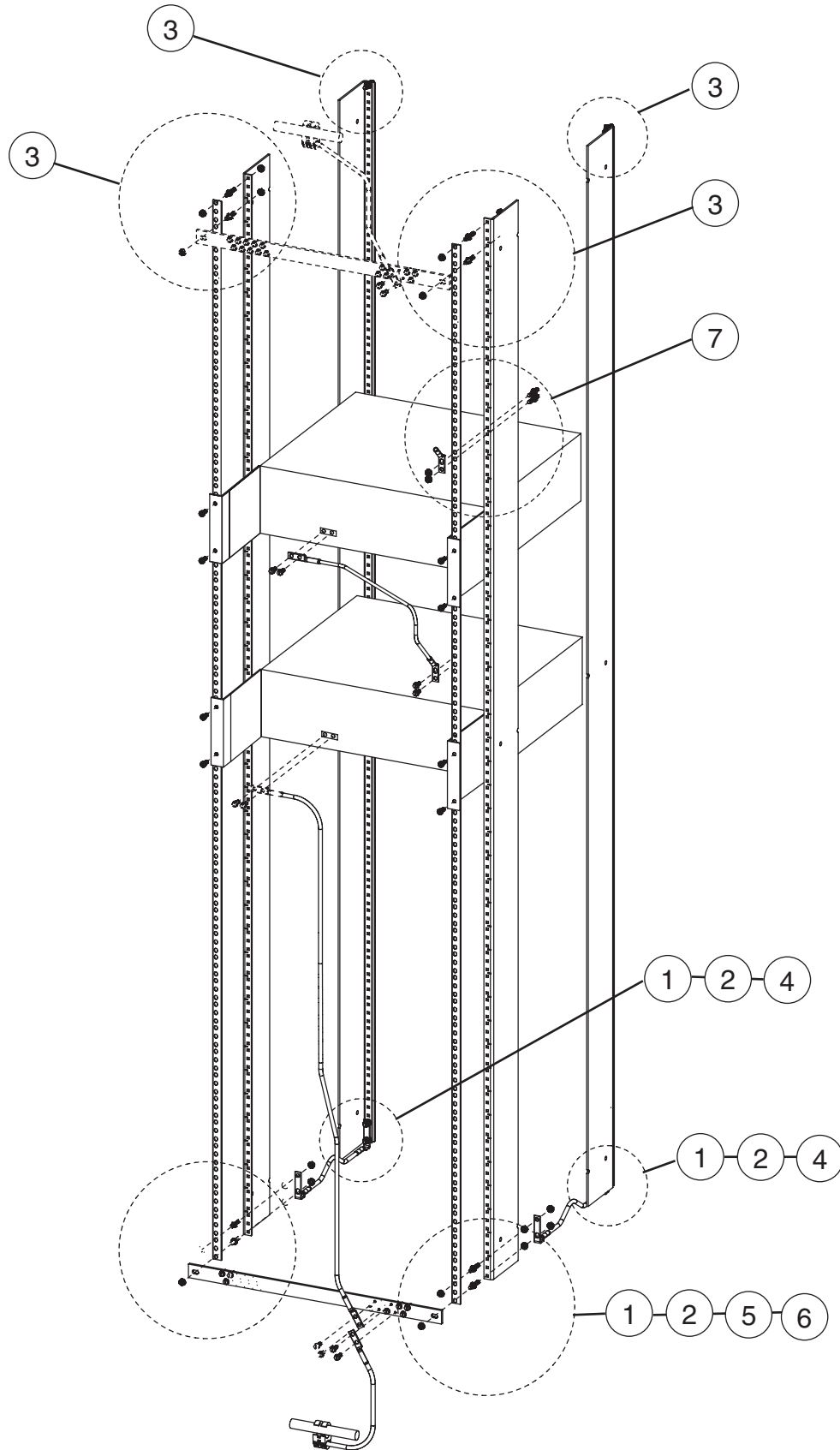
CGR630UB



7

CGK630UB





For Instructions in Local Languages
and Technical Support:

http://www.panduit.com/resources/install_maintain.asp



www.panduit.com

E-mail:
cs@panduit.com

Phone:
(800)777-3300