







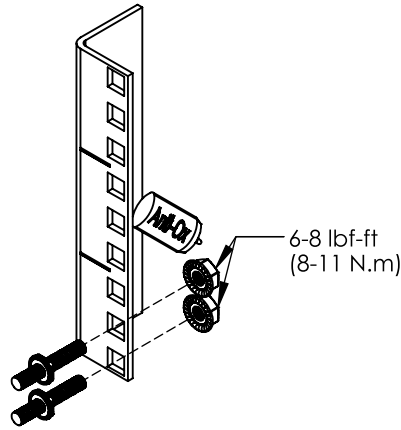
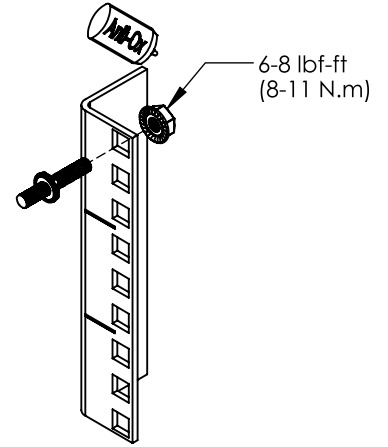


	RGS134B-1	RGRB19CN
	1	--
Cage Nut Grounding Strip		
	3	--
Strip Clip		
	--	2
Universal Grounding Sticker		
	--	1
19" Universal Ground Bar		
	1	--
Cleaning Pad		
	8	4
12-24 HDW		
	3	2
Cage Nut Stud HDW		
	1	1
Anti-Ox		

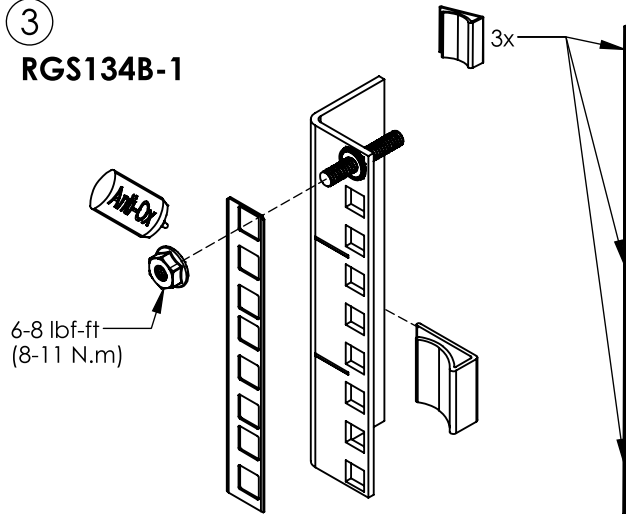
1
RGS134B-1



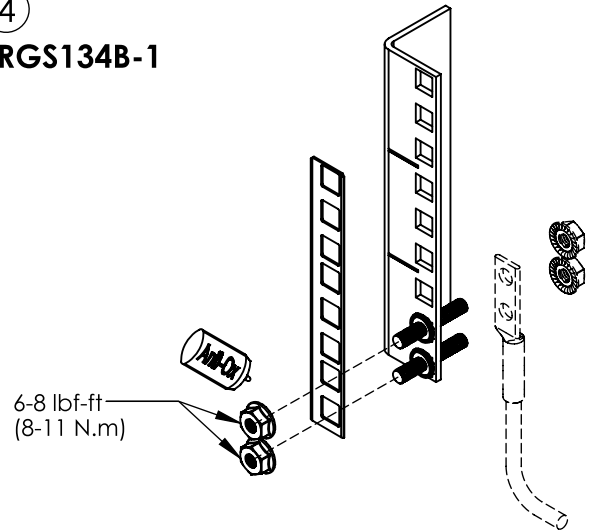
2
RGS134B-1



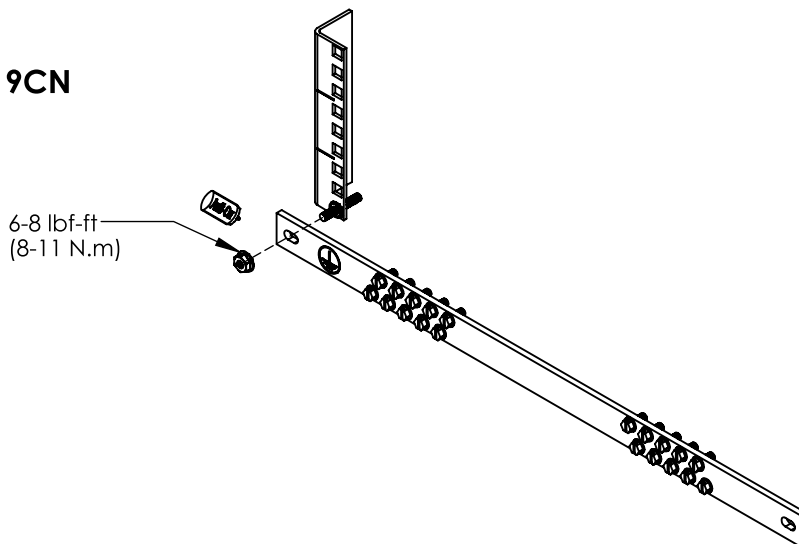
3
RGS134B-1



4
RGS134B-1



1
RGRB19CN



All torque values based on a maximum equipment rail coating of .003 inches.

For Instructions in Local Languages
and Technical Support:

www.panduit.com/resources/install_maintain.asp

PANDUIT
www.panduit.com

E-mail:
cs@panduit.com

Phone:
800-777-3300