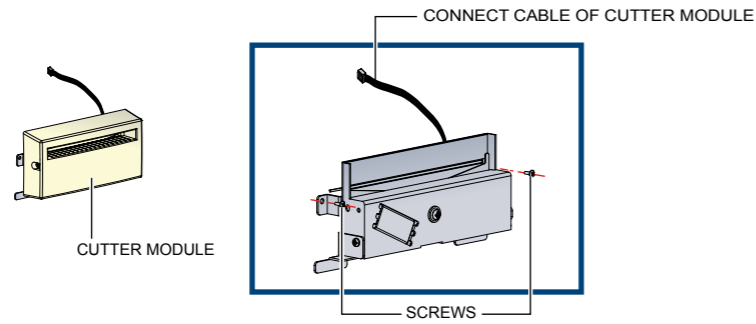


Cutter Module Installation Quick Start Guide for Desktop Printers

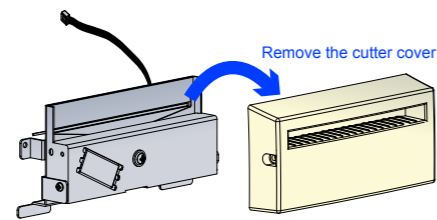
Overview of the Cutter Module



NOTICE

- Remember to switch off the printer before installing the cutter.
- The cutter has a blade life of 400,000 cuts when using paper liner only, which is 250µm thick and 3 inches wide; and a blade life of 100,000 cuts when cutting adhesive backed continuous tape.
- You can cut paper with a max. width of 4.5" (116 mm).
- Not compatible with C***X***Y*T, M***X***UPT, H***X***H*T-2, and all supertack tapes.
- We advise against using inside wound label stock.

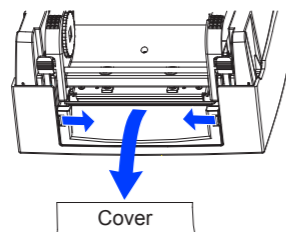
Before installing the cutter module, remove the cutter cover as shown in the illustration.



Preparation Steps

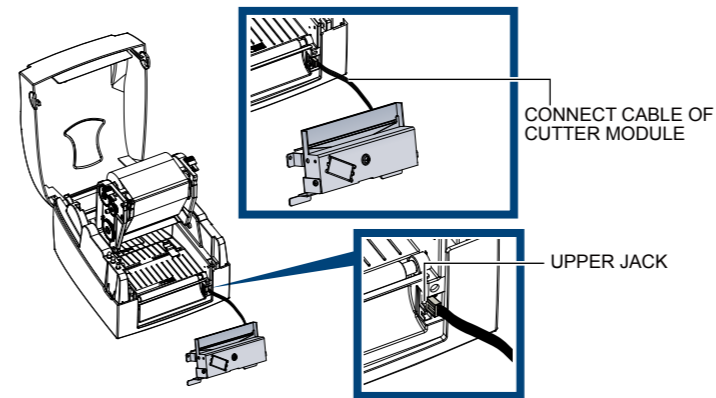
For more details about the preparation steps to install optional modules, please refer to the Operation Manual of the printer.

STEP-00 Please remove the Front Cover from the printer.



Cutter Module Installation Quick Start Guide for Desktop Printers

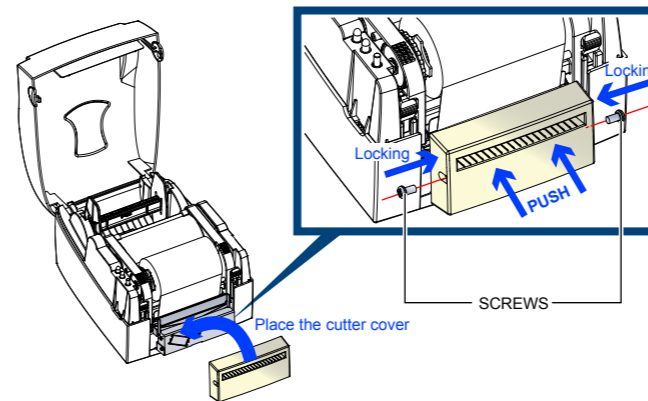
STEP-01 Plug in the connector



NOTICE

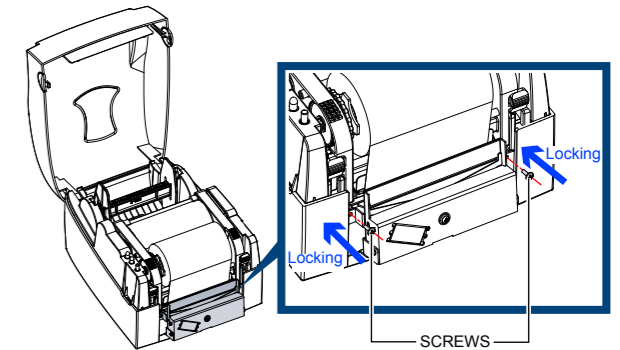
- The printer must be switched off, or the motherboard may be damaged!
- There are 2 jacks : use the upper jack for the cutter.

STEP-03 Secure the cutter cover using the screws provided for this purpose.

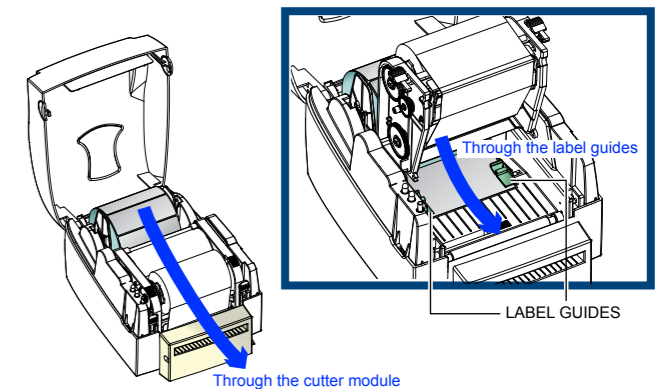


STEP-05 Make changes to printer driver per separate instruction sheet.

STEP-02 Secure the cutter using the screws provided for this purpose.



STEP-04 Pass the labels through the guides and close the printing mechanism.



STEP-06 Turn on printer and allow auto-calibration sequence. To finish, press the FEED button to set the label position.

